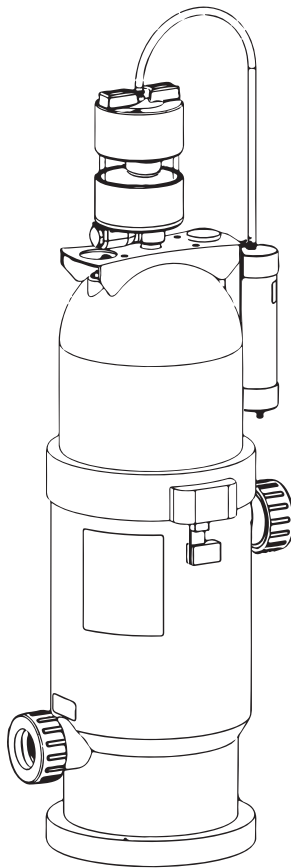




DEL MDV XL INSTALLATION INSTRUCTIONS & PRODUCT MANUAL



General Information & Installation

General Information

The DEL MDV XL will effectively separate ozone bubbles from the ozonated water produced by the DEL AOP 50. When the flow enters the MDV XL, the ozone bubbles are allowed to float up and accumulate at the top as the water exits out the bottom. The separated ozone passes through a float valve and is sent through a carbon destruct and neutralized to safely vent to the atmosphere.

The MDV XL should be used in all indoor, covered, and vinyl lined pools where there is an AOP 50 installed. It can also be used in outdoor applications to eliminate bubbles in your return flow.

Installation

1. Plumb the MDV XL downstream of the AOP 50 as seen in **Figure 1**. The MDV XL's inlet and outlet fittings are 2" FNPT, use the correct fittings and thread sealant to plumb into the circulation loop. Refer to **Figure 3** for footprint and clearance dimensions before placing the MDV XL on your equipment pad.
2. Apply thread sealant to Vent Adapter threads. Install Vent Adapter through the hole in the Housing Handle and into the Housing as shown in **Figure 2**.
3. Use PVC primer and PVC glue to attach the Vent Assembly to the open pipe end of the Vent Adapter. Orient the Vent Assembly as shown in **Figure 2**.
4. Mount the Carbon Destruct to the Destruct Bracket with the two Mounting Screws provided as shown in **Figure 2**.
5. Connect the Ozone Tube and Exhaust Tube using the Tube Clamps as shown in **Figure 2**. Tubing Clamps should be tightened behind the hose barb feature for proper attachment.
6. The Exhaust Tube will release small amounts of condensation and carbon under normal operation. To avoid water or carbon stains, route the Exhaust Tube to divert the condensation to a suitable location.
7. If the MDV XL is located well above the water line, an additional ball valve may be needed to maintain an adequate water level in the Housing. Install the ball valve just after the MDV XL outlet as shown in **Figure 1**.

NOTE: In cases where the MDV XL is located above the water line, bubbles will be seen in the return line upon startup. The bubbles will stop once the MDV XL fills with water.

Illustrations

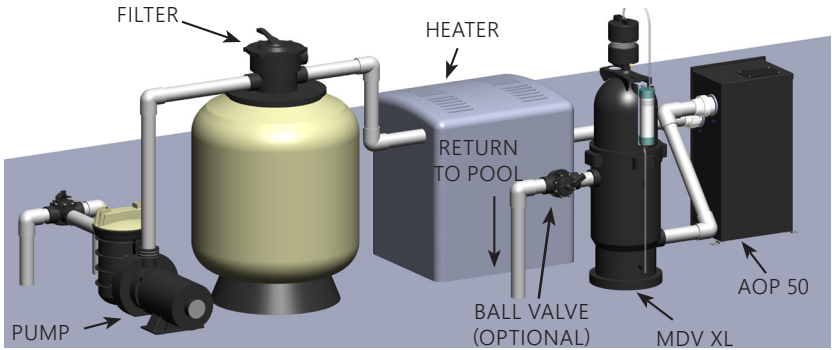


Figure 1: System View

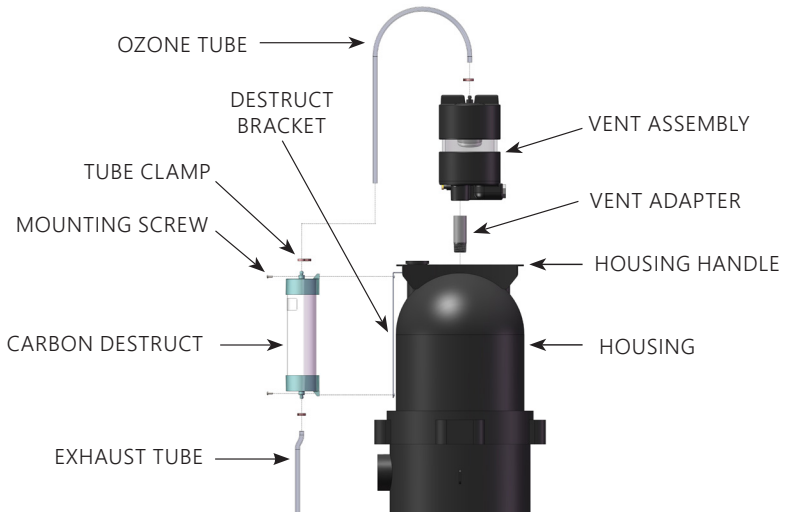


Figure 2: Assembly Components

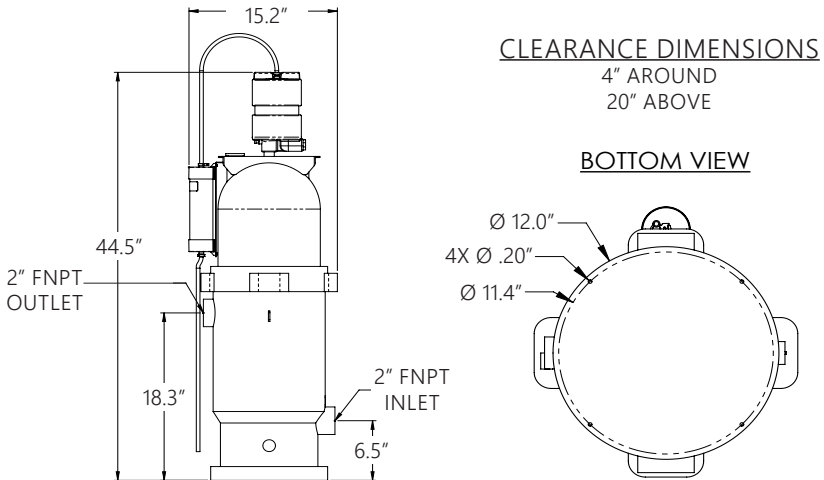


Figure 3: Critical Dimensions



CMP, LLC
36 HERRING ROAD, NEWNAN, GA 30265
WWW.C-M-P.COM/DEL

0118lm