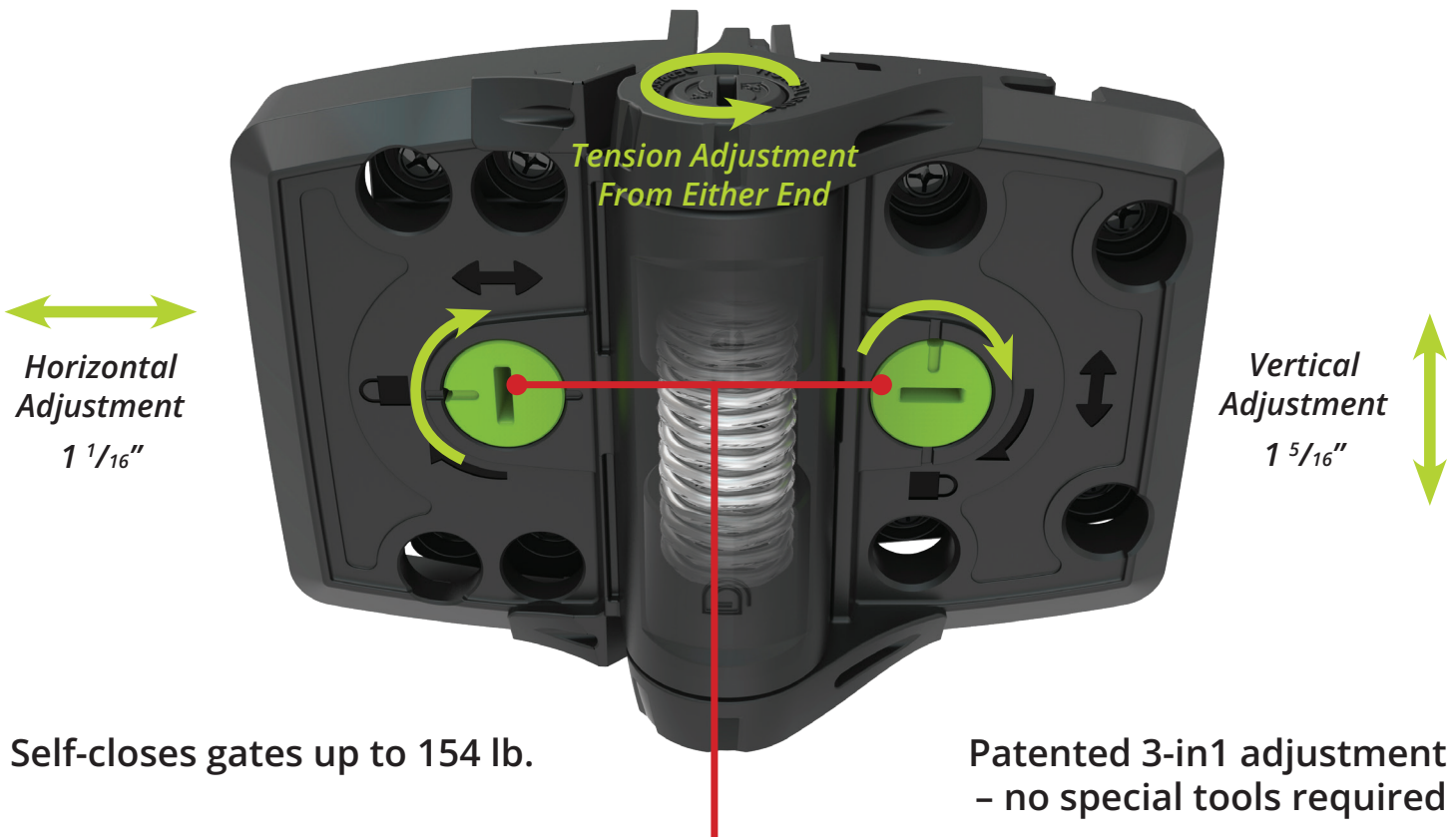


# Solves gate sag problems for good!

Patented horizontal & vertical adjustment with a turn of a dial.



Self-closes gates up to 154 lb.

Patented 3-in1 adjustment  
- no special tools required

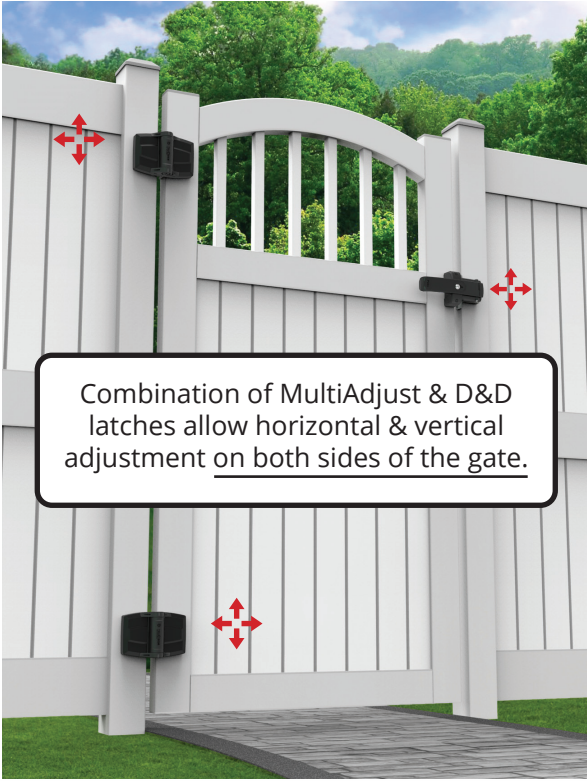
Easy to identify dials,  
one-turn to adjust - one-turn to lock

## Heavy-duty self-closing hinges for vinyl or composite gates

- Up to 50% faster to install with NEW built-in brackets and less fasteners
- Over 20% increase in horizontal and vertical adjustability
- Generous adjustability allows gate gaps from 5/8" to 1 11/16"
- Patented quick-release mechanism for fast, easy horizontal & vertical adjustability
- Larger spring than stainless steel hinges; longer life, greater closing power
- UV stabilized, industrial-strength polymer & stainless steel construction
- Side-fixing legs for fast alignment & extra fixing strength



CODE	PRODUCT NAME	GATE MATERIAL	IDEAL GATE GAP	GAP VARIANCE	COLOR
TCHDMAS3BT	TruClose® Multi-Adjust™ Series 3	Vinyl, Composite	1"	5/8" to 1 11/16"	Black
TCHDMAS3WT	TruClose® Multi-Adjust™ Series 3	Vinyl, Composite	1"	5/8" to 1 11/16"	White



**NEW**  
TCHDMAS3BT

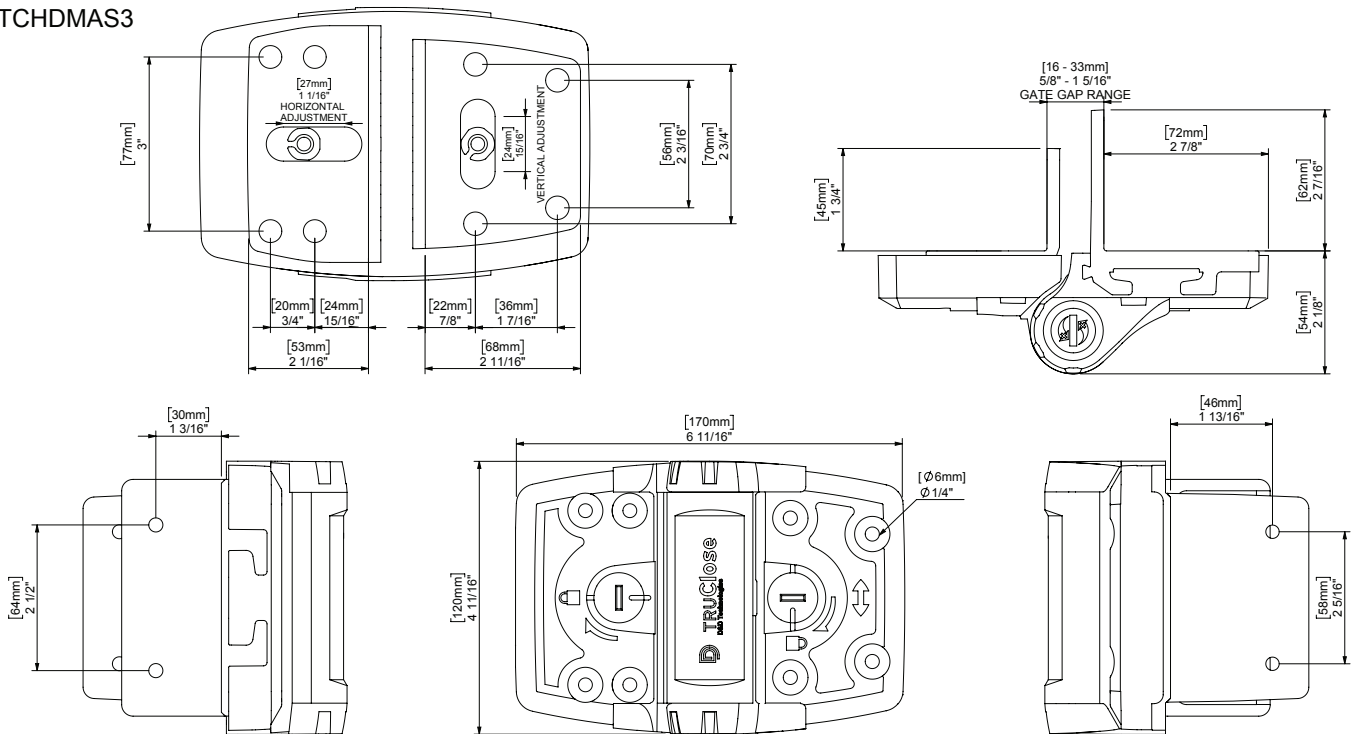


**NEW**  
TCHDMAS3WT



Removeable hinge covers and all fasteners are included

TCHDMAS3



[www.ddtech.com](http://www.ddtech.com)

7020 Reames Rd., Unit D, Charlotte, NC 28216

Tel: (800) 716-0888 or (714) 677-1300

Fax: (800) 464-6400 or (714) 677-1299

E-mail: [info@ddtechusa.com](mailto:info@ddtechusa.com)

