

PRODUCT INFORMATION PACKET

Model No: ELV08C
Catalog No: ELV08C

Pool Pump Motor, .01-.85 HP, 1 Ph, 60 Hz, 115 V, 3600 RPM, 56J Frame, TEFC



Regal and are trademarks of Regal Rexnord Corporation or one of its affiliated companies.
©2022 Regal Rexnord Corporation, All Rights Reserved. MC017097E

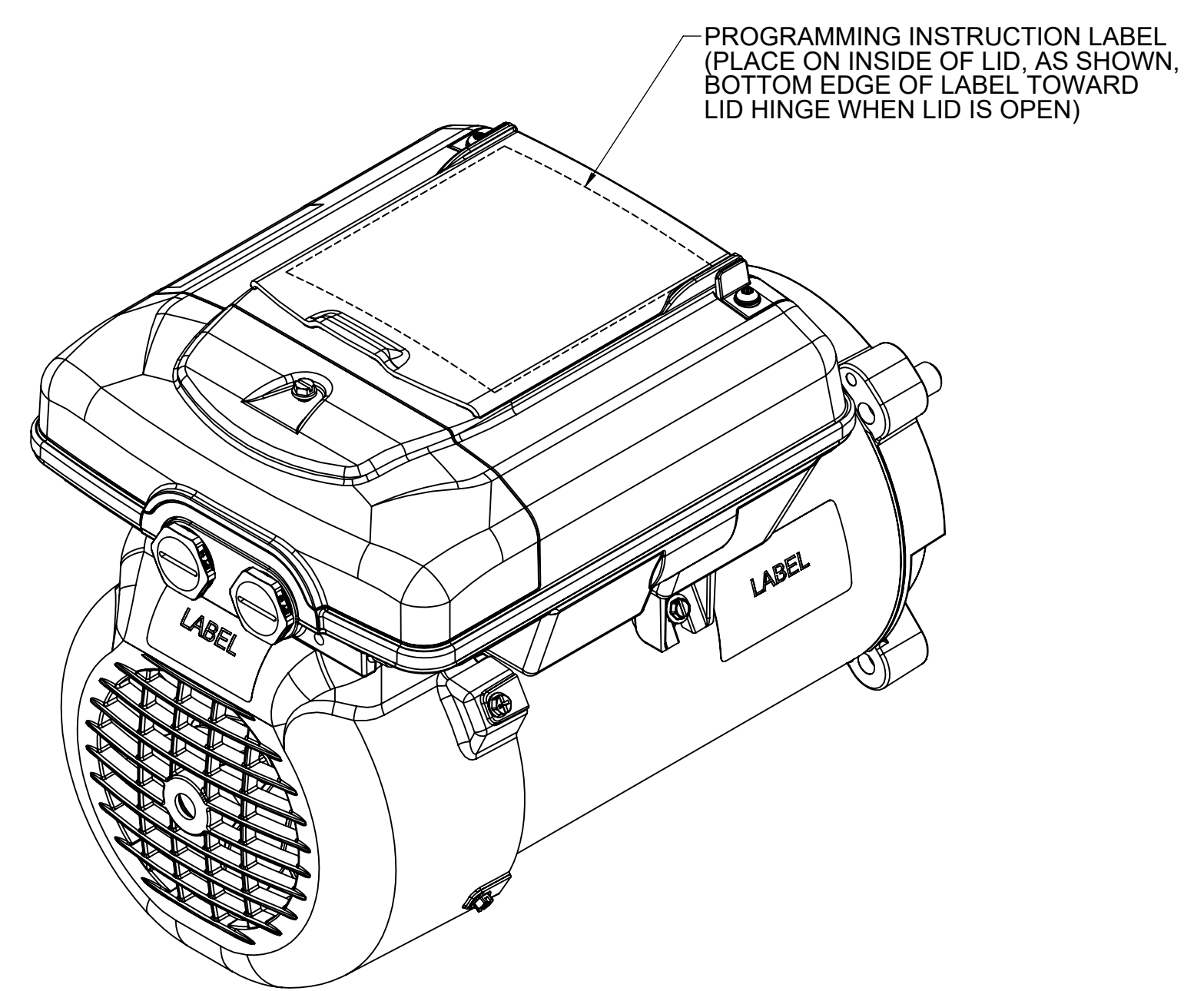
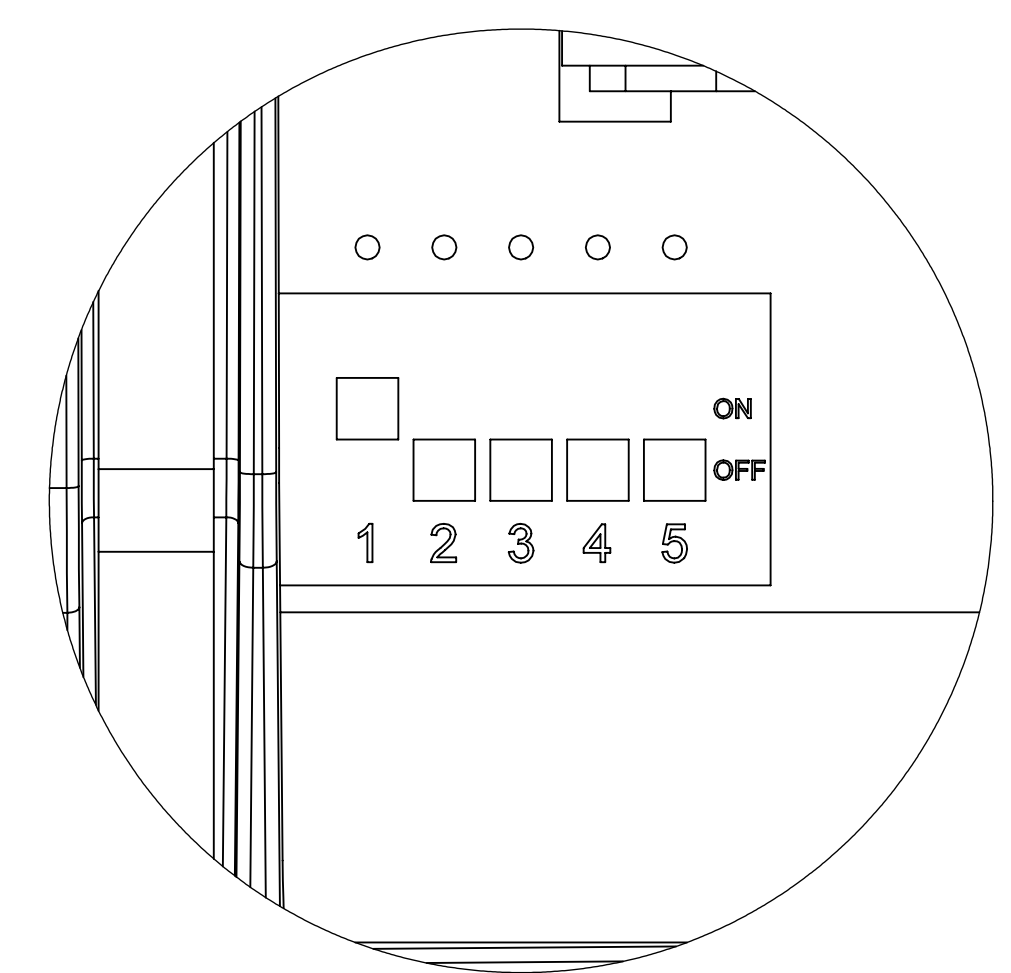
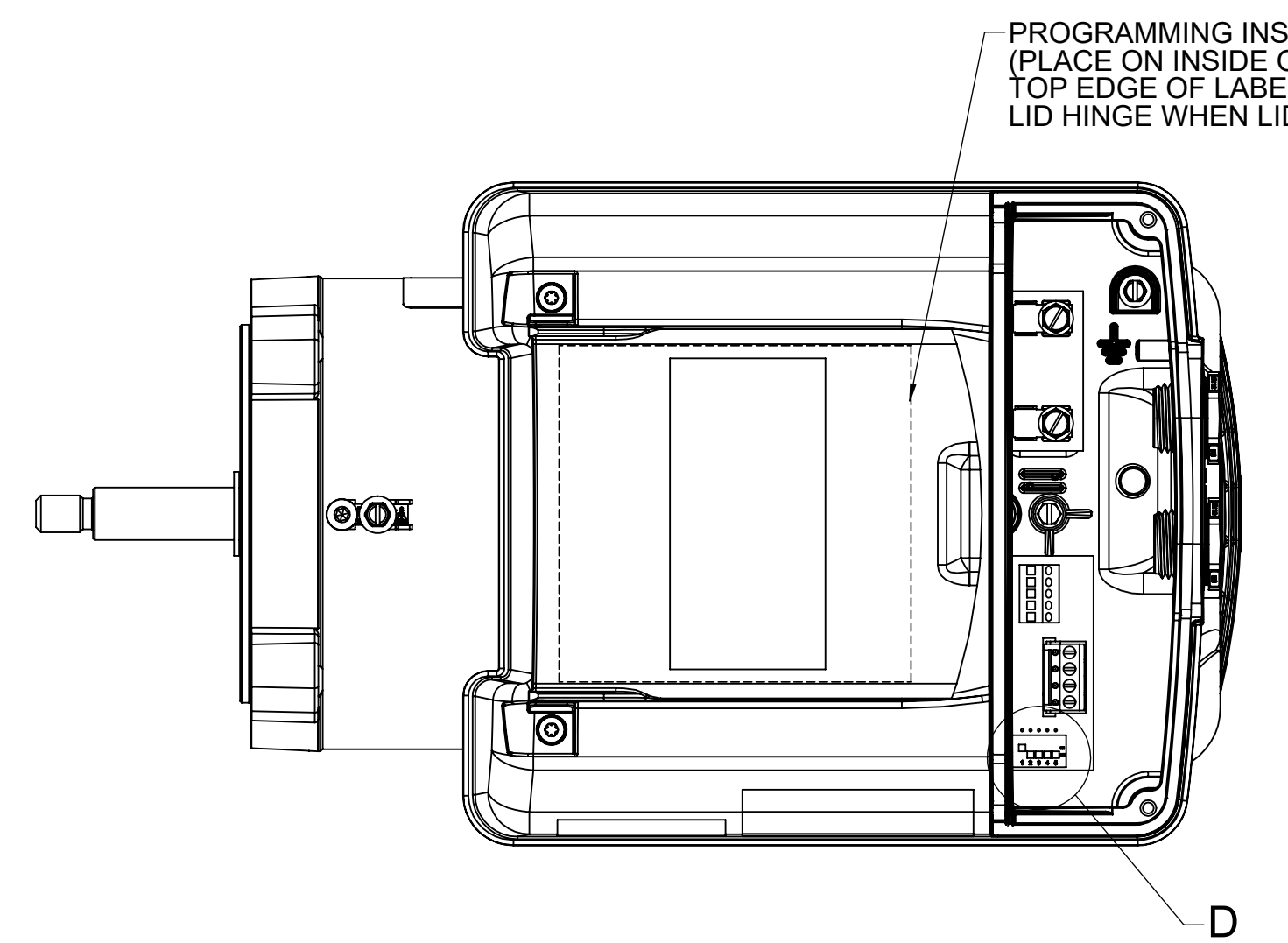
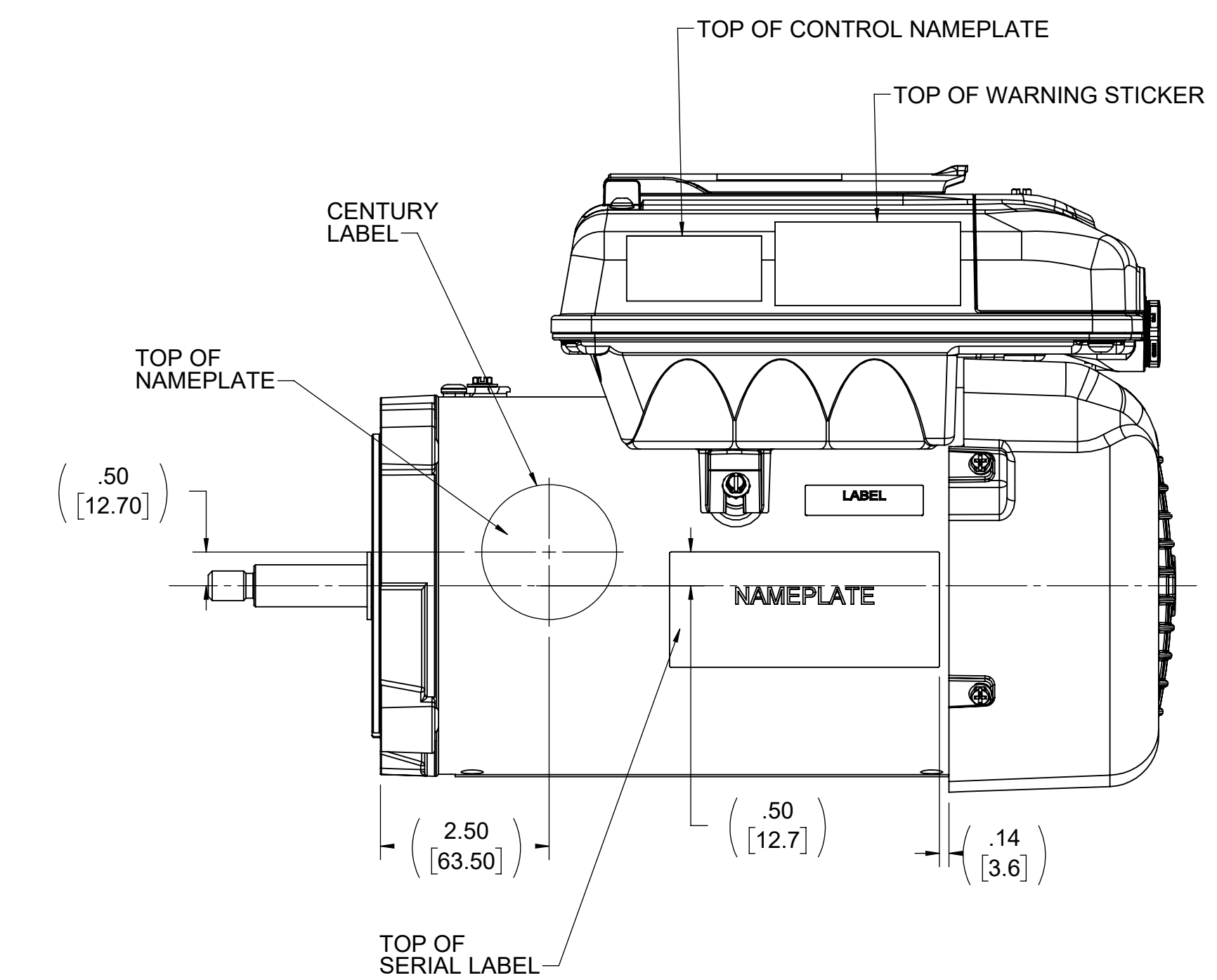
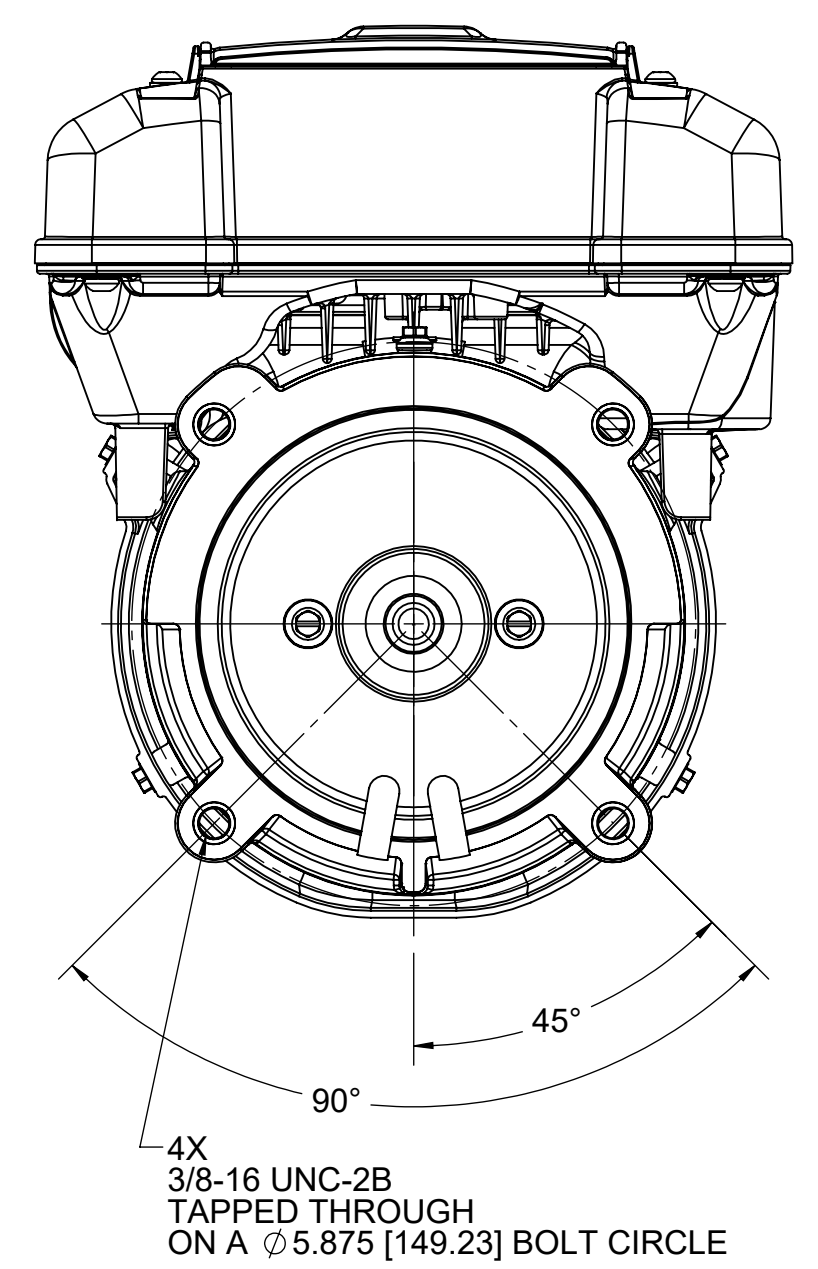
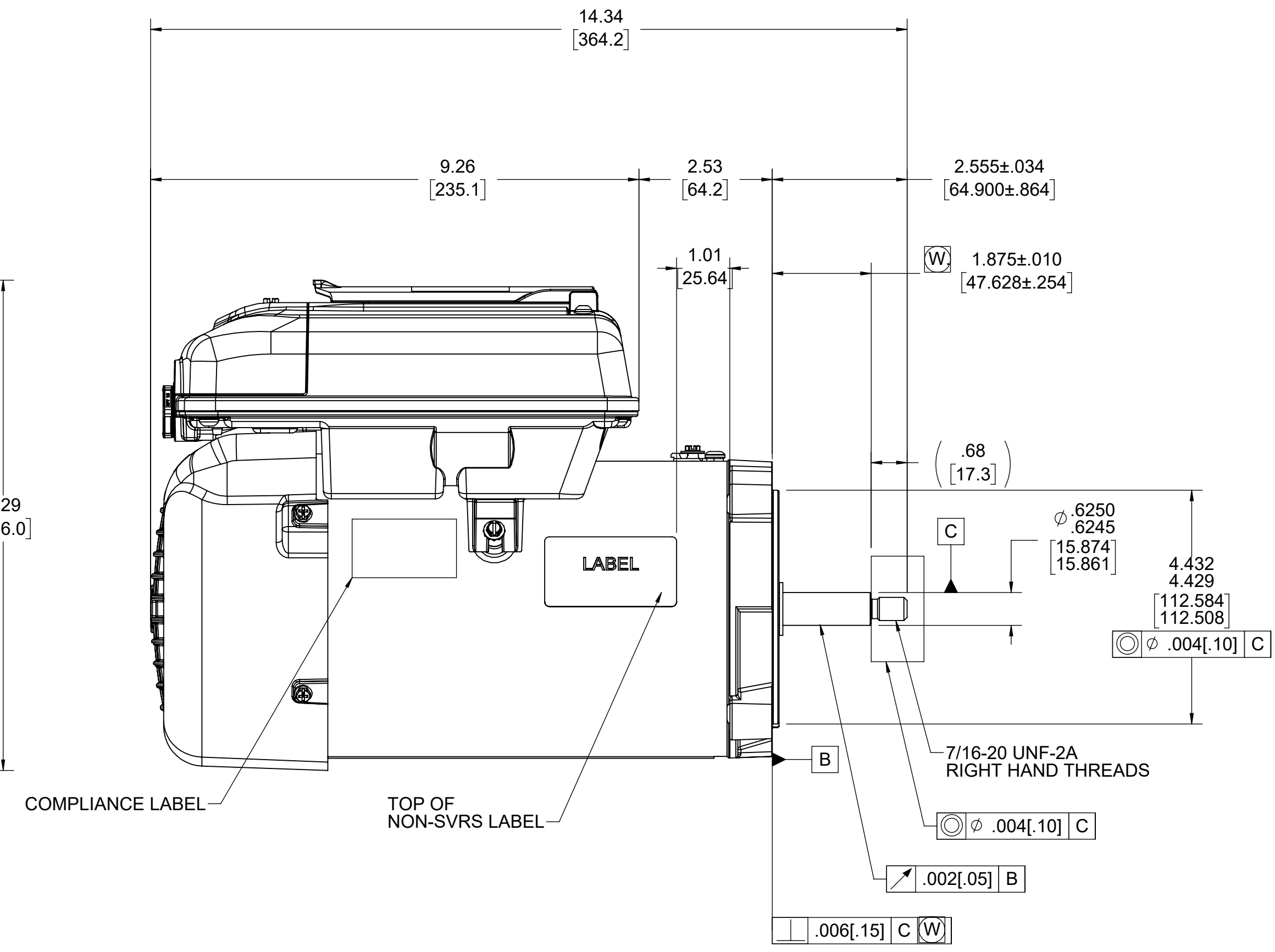
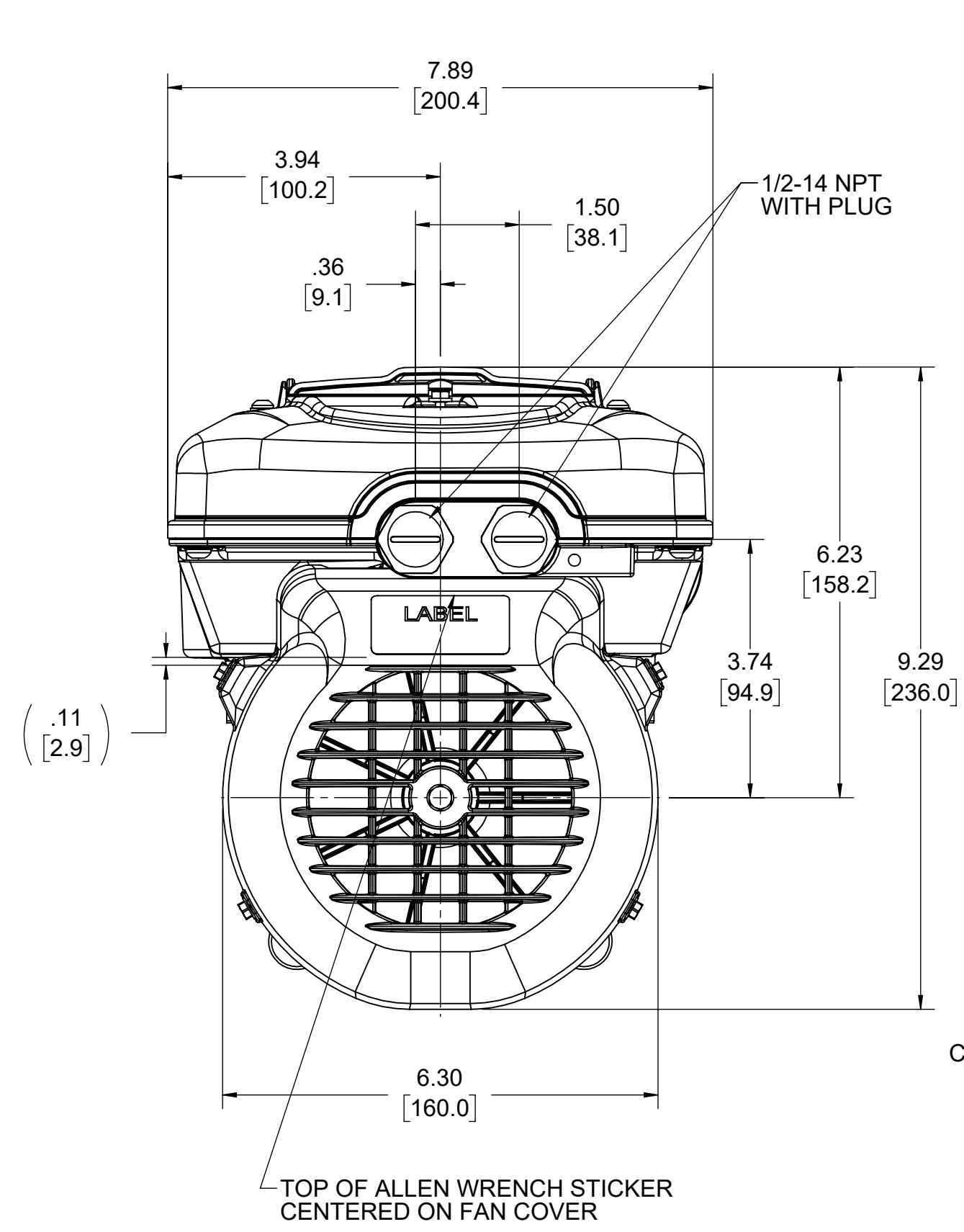
Nameplate Specifications

Output HP	.01-.85 Hp	Output KW	0.63 kW
Frequency	60 Hz	Voltage	115 V
Current	0.4-10.0 A	Speed	600-3450 rpm
Service Factor	1	Phase	1
Duty	Continuous	Insulation Class	F
Frame	56J	Enclosure	Totally Enclosed Fan Cooled
Thermal Protection	Automatic	Ambient Temperature	40 °C
UL	Recognized	CSA	N

Technical Specifications

Electrical Type	Permanent Magnet Motor	Poles	2
Rotation	Clockwise Lead End	Mounting	C Face
Motor Orientation	Horizontal	Drive End Bearing	BALL
Opp Drive End Bearing	BALL	Frame Material	Rolled Steel
Shaft Type	Threaded	Overall Length	14.34 in
Frame Length	7.81 in	Shaft Diameter	0.625 in
Shaft Extension	2.555 in		
Outline Drawing	ELV08C	Connection Drawing	User Manual

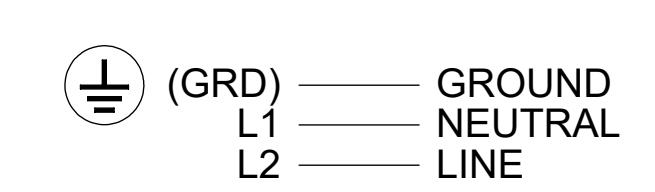
This is an uncontrolled document once printed or downloaded and is subject to change without notice. Date Created:09/16/2022



- NOTES:
1. END PLAY NOT TO EXCEED .010[.25] MEASURED WITH NO THRUST
 2. ALL DIMENSIONS SHOWN IN PARENTHESES ARE REFERENCE DIMENSIONS.
 3. MOTOR AND CONTROL FINISH PAINT TO BE SATIN BLACK
 4. [W] IDENTIFIES MAJOR CHARACTERISTICS EXPECTED CAPABILITY: Cpk 1.33 OR GREATER UNLESS OTHERWISE SPECIFIED

NAMEPLATE DATA			
MODEL NUMBER	M48AB17A01	CUSTOMER MODEL NUMBER	ELV08C
HP	.01-.85	TYPE	M
VOLTS	115	FRAME SIZE	56J
AMPS	0.4-10.0	PHASE	1
KW	.71	INSULATION CLASS	F
SF AMPS	-	AMBIENT TEMPERATURE	40 °C
HERTZ	60	DUTY	CONT
REVOLUTIONS PER MINUTE	600-3450	ENCLOSURE	TEFC
SERVICE FACTOR	1.00	ELECTRONICALLY PROTECTED	
ROTATION	CWLE	CODE	NA
PERFORMANCE CURVE NUMBER	-	FORM	-
CUSTOMER	DISTRIBUTION	APPROVED SAMPLE	-

EXTERNAL CONNECTION DIAGRAM



DRAWING REVISION	REVISION BY	DATE	TOLERANCES UNLESS OTHERWISE SPECIFIED:	DRAWN BY	REGAL™ Regal Beloit America, Inc.
E	SHESHI	09/30/2021	DEC. INCH mm ANGLE	J. JOHNS	
ECO	APPROVED BY	DATE	.X ±0.1 [2.5]	DATE	7/7/2017
	D. SURYAWANSHI	09/30/2021	.XX ±0.02 [0.51]	APPROVED BY	T. REYES
ECO DESCRIPTION			XXX ±0.005 [0.127]	DATE	7/7/2017
			XXXX ±0.0005 [0.0127]	REFERENCE	
			REMOVE BURRS & BREAK SHARP EDGES: .003[.075] [0.76] [381]	THIRD ANGLE PROJECTION	
			CORNER FILLETS: .02 [1.51]	SIZE	D
			MACHINED SURFACES: 125/32/ INCH mm	DRAWING NUMBER	ELV08C
			mm SHOWN IN [BRACKETS]	PROCESS/FINISH	N/A
				DESCRIPTION	OUTLINE
				MATERIAL	N/A
				PROCESS/FINISH	N/A
				SIZE	1
				SHEET	1 OF 1