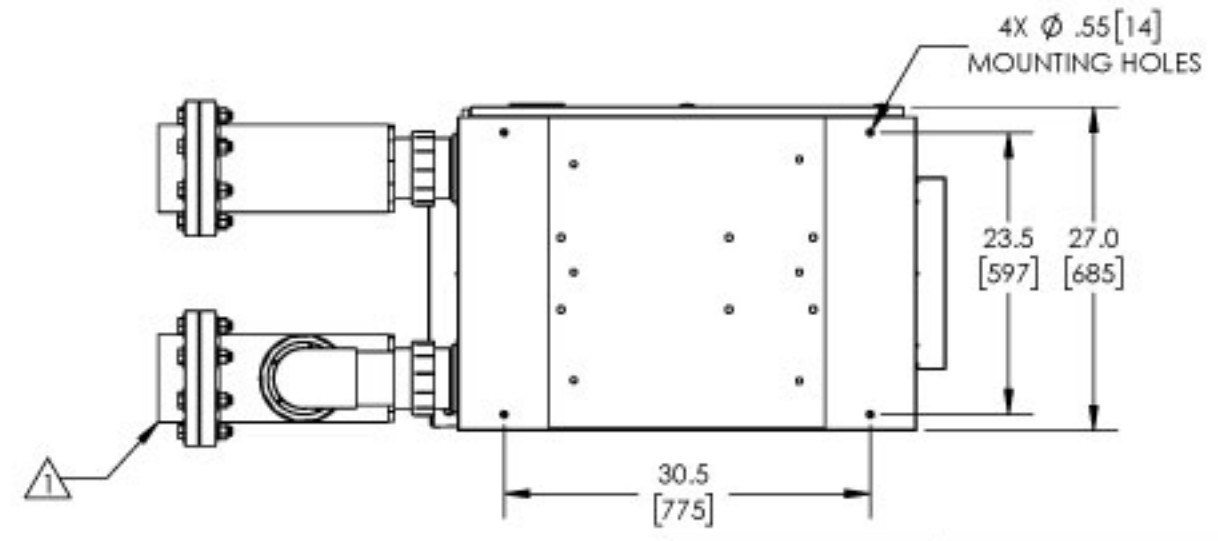
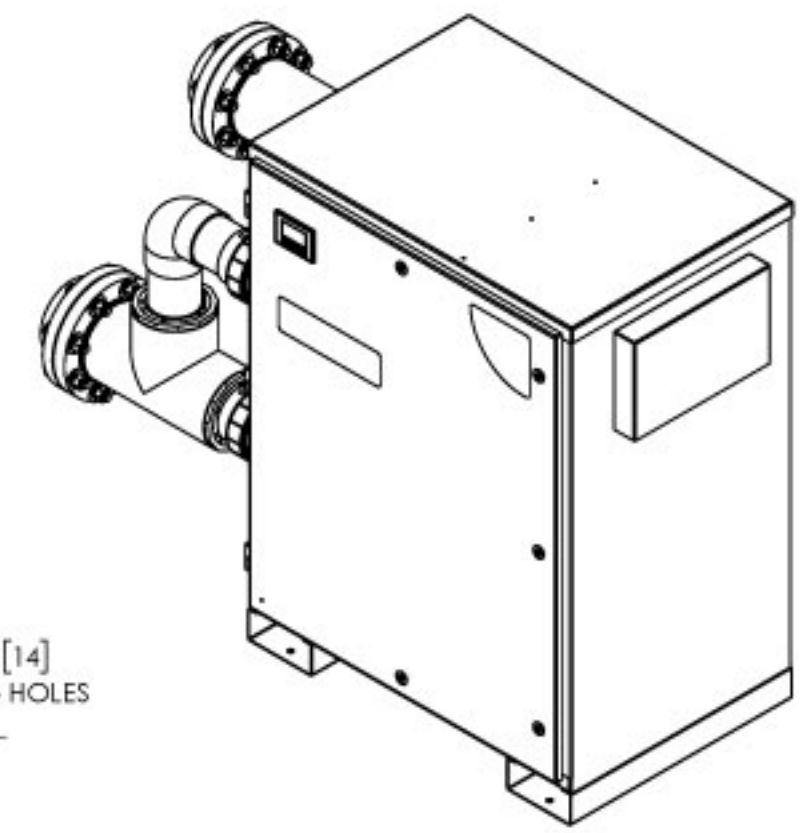
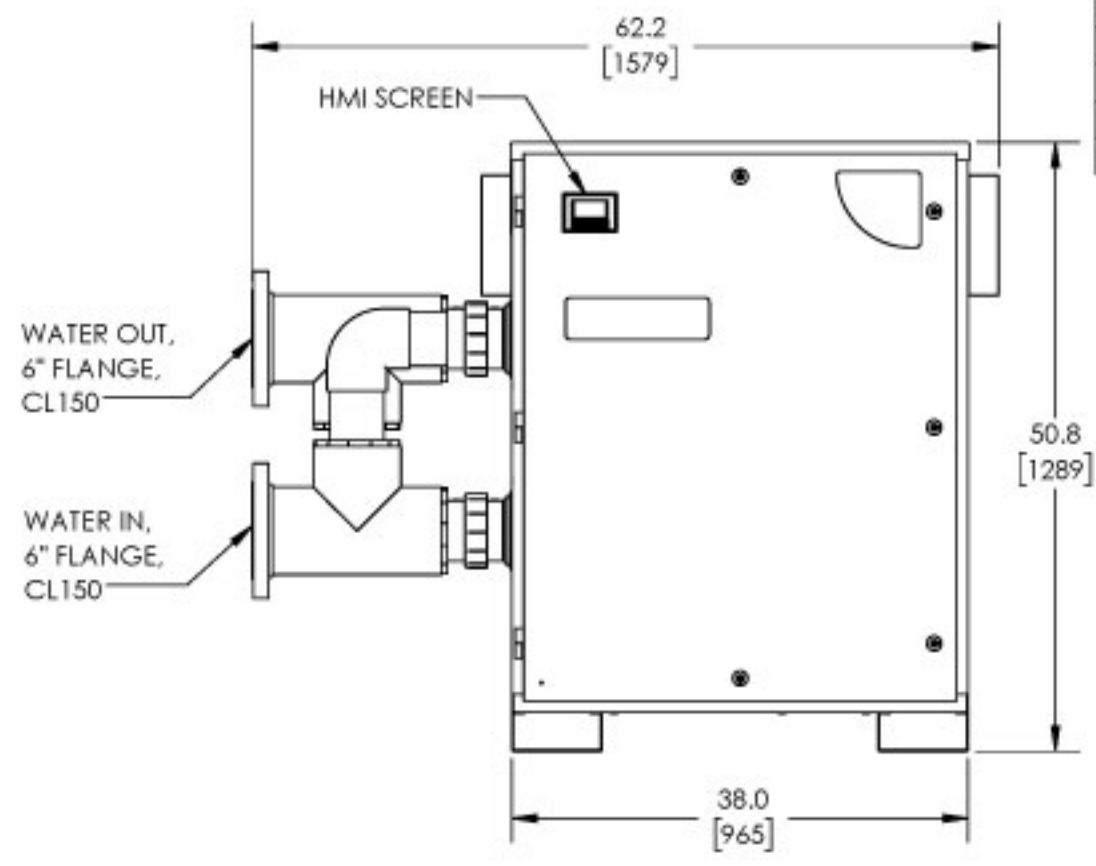
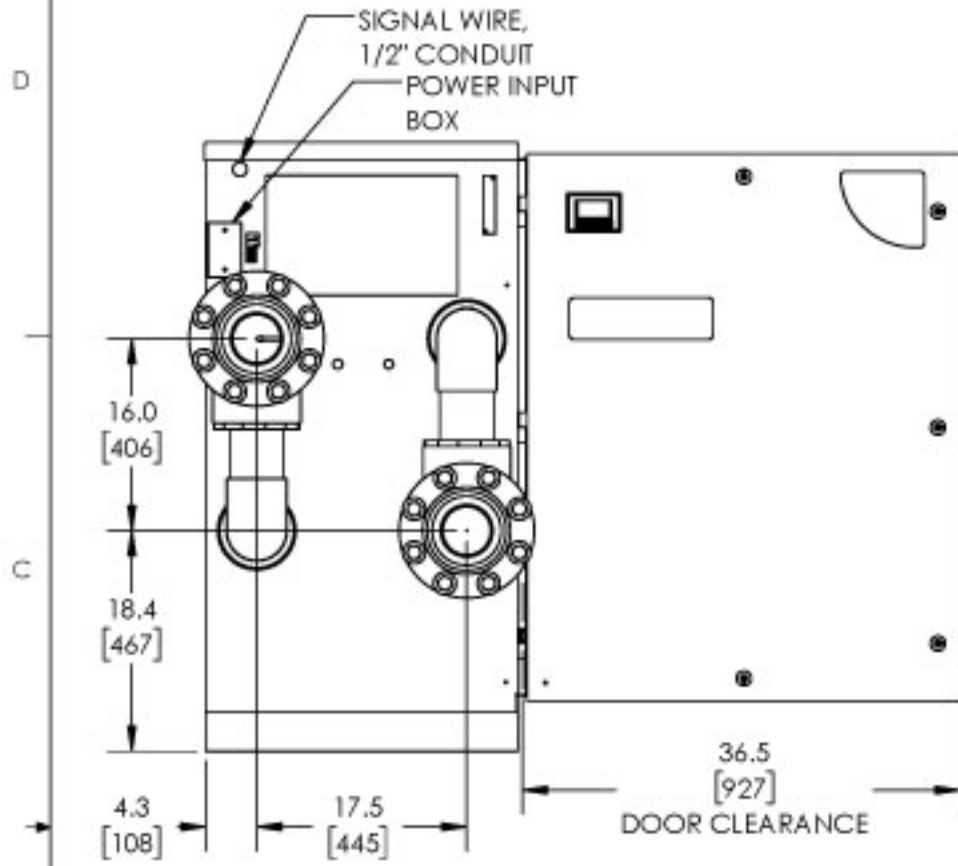


REVISIONS			
REV.	DESCRIPTION	ECN #	DATE
A	INITIAL RELEASE	NP10105	05/03/2021

SPECIFICATIONS	
MODEL	UVC-PRO-500DXX-XX
POWER	240 V / 4.2 A / 60 Hz
ENCLOSURE RATING	NEMA 12
AMBIENT OPERATING TEMP.	40 - 110 °F (5 - 43 °C)
OPERATING FLOW RANGE	125 - 500 GPM
MAXIMUM OPERATING PRESSURE	50 PSI
MAXIMUM WATER TEMP.	102 °F (39 °C)
APPROVALS	UL, NSF



NOTES: UNLESS OTHERWISE SPECIFIED

① 6" FEMALE PVC SOCKET FLANGES, FLANGE GASKETS AND HARDWARE INCLUDED IN PARTS KIT.

2. UVC-PRO-500D-01 MODEL SHOWN.

UNLESS OTHERWISE SPECIFIED DIMENSIONS ARE IN INCHES (MM)		DRAWING STATE:	
TOLERANCES: X ± .1 XX ± .02 XXX ± .010		PROJECT / ECN #:	
ANGLES: ± 1°		ENGINEERING DESIGN	DATE
		T.MCNEEL	5/3/2021
		ENGINEERING APPROVAL	
MATERIAL	NA		
FINISH	NA		
		CAD GENERATED DRAWING DO NOT MANUALLY UPDATE	



TITLE: SPECIFICATION, DWG, UVC-PRO-500DXX-XX		REV A
PART NO. 4-2696-10		
SCALE: 1:16 DO NOT SCALE DRAWING	WEIGHT:	SHEET 1 OF 1

**PROPRIETARY AND CONFIDENTIAL**  
THE INFORMATION CONTAINED IN THIS DRAWING IS THE SOLE PROPERTY OF CUSTOM MOLDED PRODUCTS. ANY REPRODUCTION IN PART OR AS A WHOLE WITHOUT THE WRITTEN PERMISSION OF CUSTOM MOLDED PRODUCTS IS PROHIBITED.