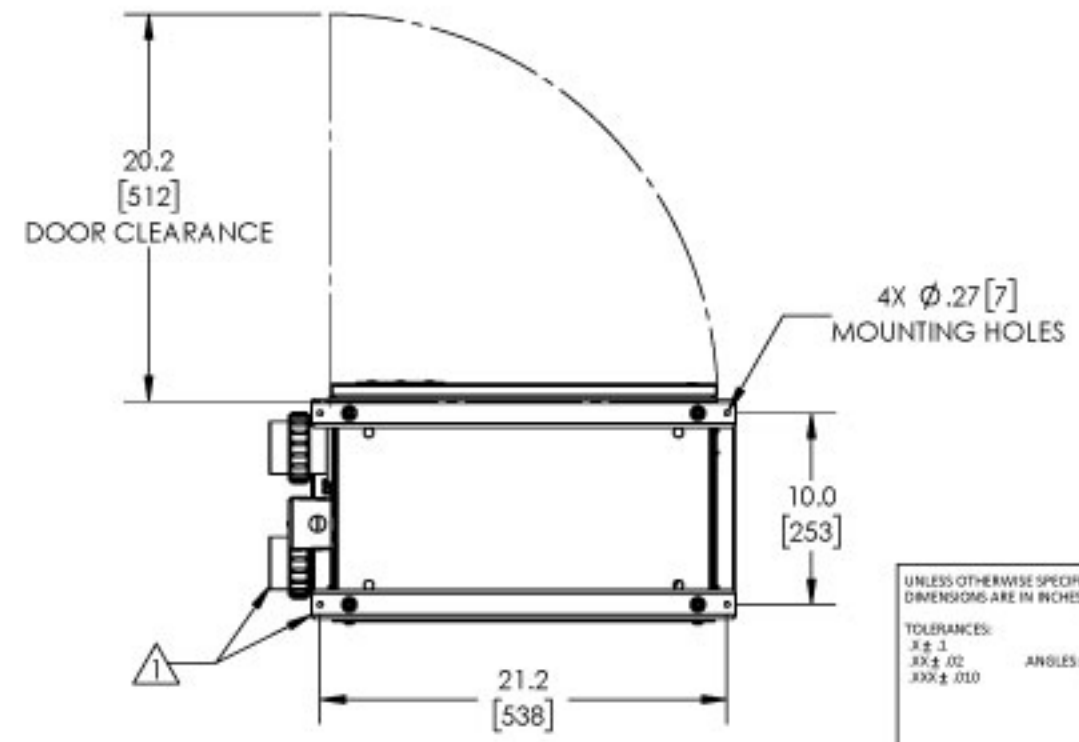
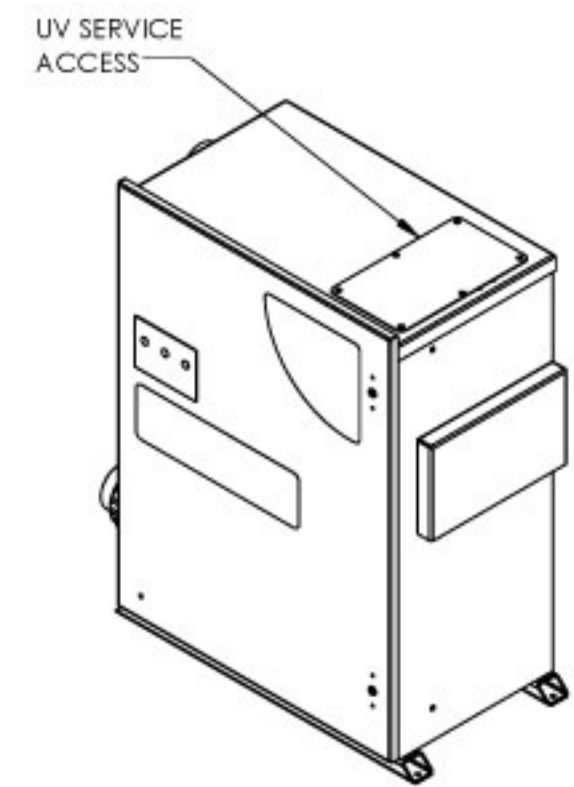
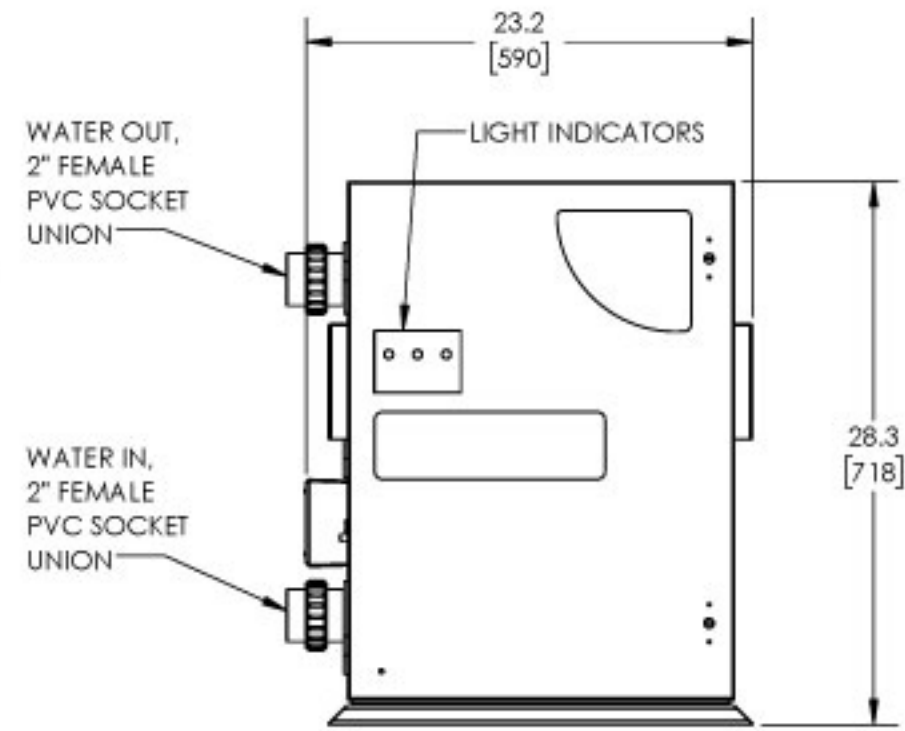
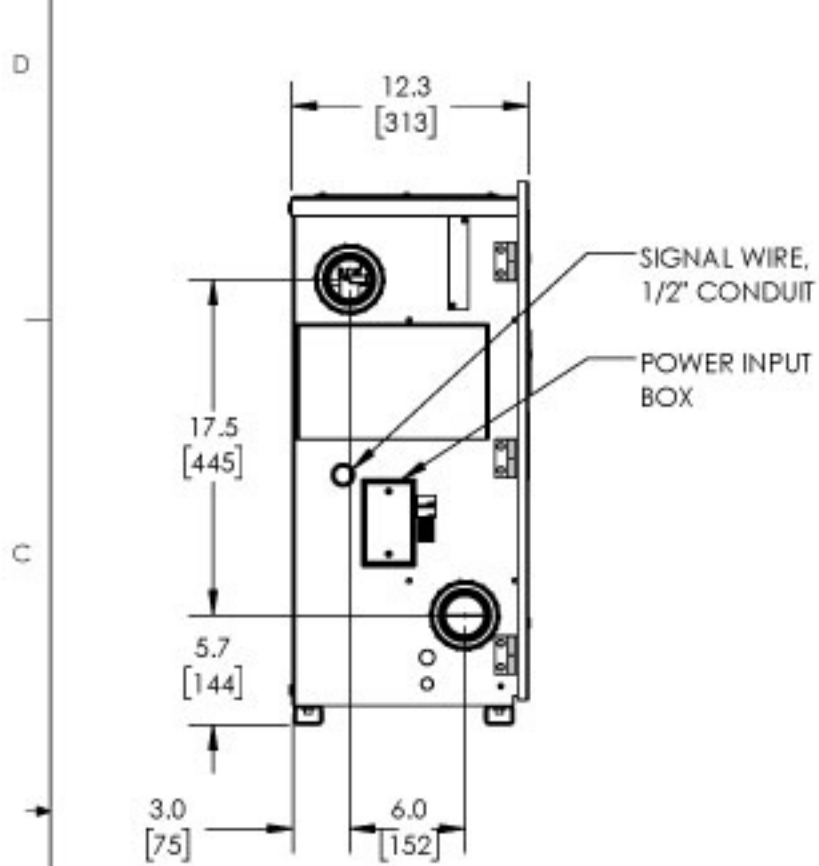


REVISIONS			
REV.	DESCRIPTION	ECN #	DATE
A	INITIAL RELEASE	NPD105	5/26/2021

SPECIFICATIONS	
MODEL	UVC-PRO-50-XX
POWER	120 V / 1.1 A / 60 Hz
ENCLOSURE RATING	NEMA 12
AMBIENT OPERATING TEMP.	40 - 110 °F (5 - 43 °C)
OPERATING FLOW RANGE	20 - 50 GPM
MAXIMUM OPERATING PRESSURE	50 PSI
MAXIMUM WATER TEMP.	102 °F (39 °C)
APPROVALS	UL, NSF



NOTES: UNLESS OTHERWISE SPECIFIED

⚠ 2" FEMALE PVC SOCKET UNIONS AND FLOOR/WALL MOUNTING BRACKETS INCLUDED IN PARTS KIT.

2. UVC-PRO-50-01 MODEL SHOWN.

PROPRIETARY AND CONFIDENTIAL
 THE INFORMATION CONTAINED IN THIS DRAWING IS THE SOLE PROPERTY OF CUSTOM MOLDED PRODUCTS. ANY REPRODUCTION IN PART OR AS A WHOLE WITHOUT THE WRITTEN PERMISSION OF CUSTOM MOLDED PRODUCTS IS PROHIBITED.

UNLESS OTHERWISE SPECIFIED DIMENSIONS ARE IN INCHES (mm) TOLERANCES: X ± .1 XX ± .02 XXX ± .010 ANGLES: ± 1°	DRAWING STATE:	
	PROJECT A/ECN #:	
	ENGINEERING DESIGN	DATE
	TIMORIEL	5/26/2021
ENGINEERING APPROVAL:		
MATERIAL	DRAWING STATE:	
NA		
FINISH	PROJECT A/ECN #:	
NA		
CAD GENERATED DRAWING DO NOT MANUALLY UPDATE		

CMP

TITLE: SPECIFICATION, DWG, UVC-PRO-50-XX

PART NO. 4-2696-01

REV A

SCALE: 1:10 WEIGHT: SHEET 1 OF 1