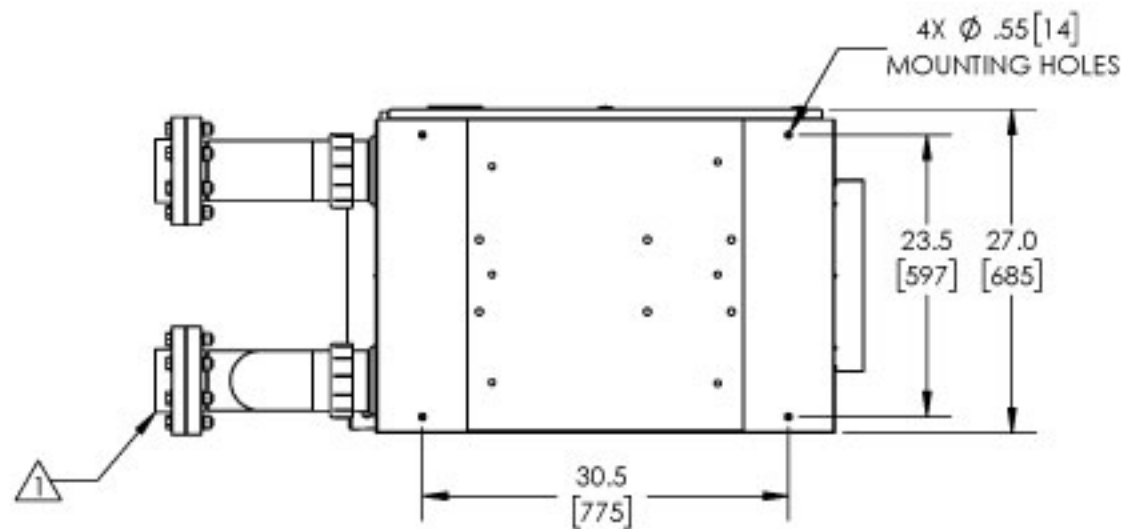
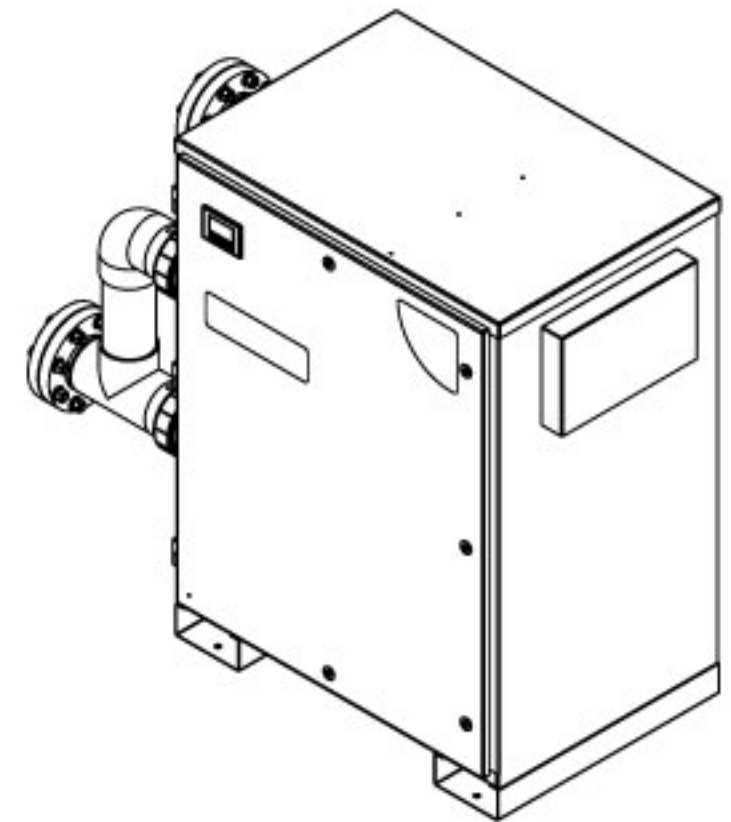
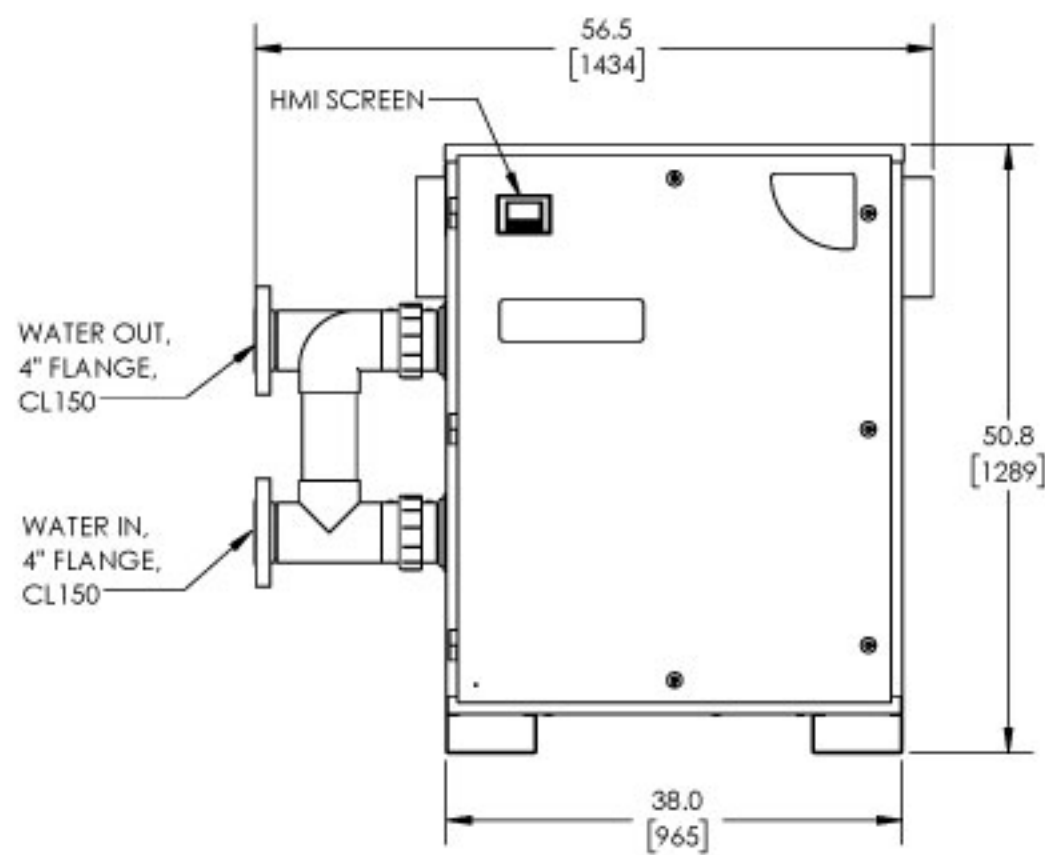
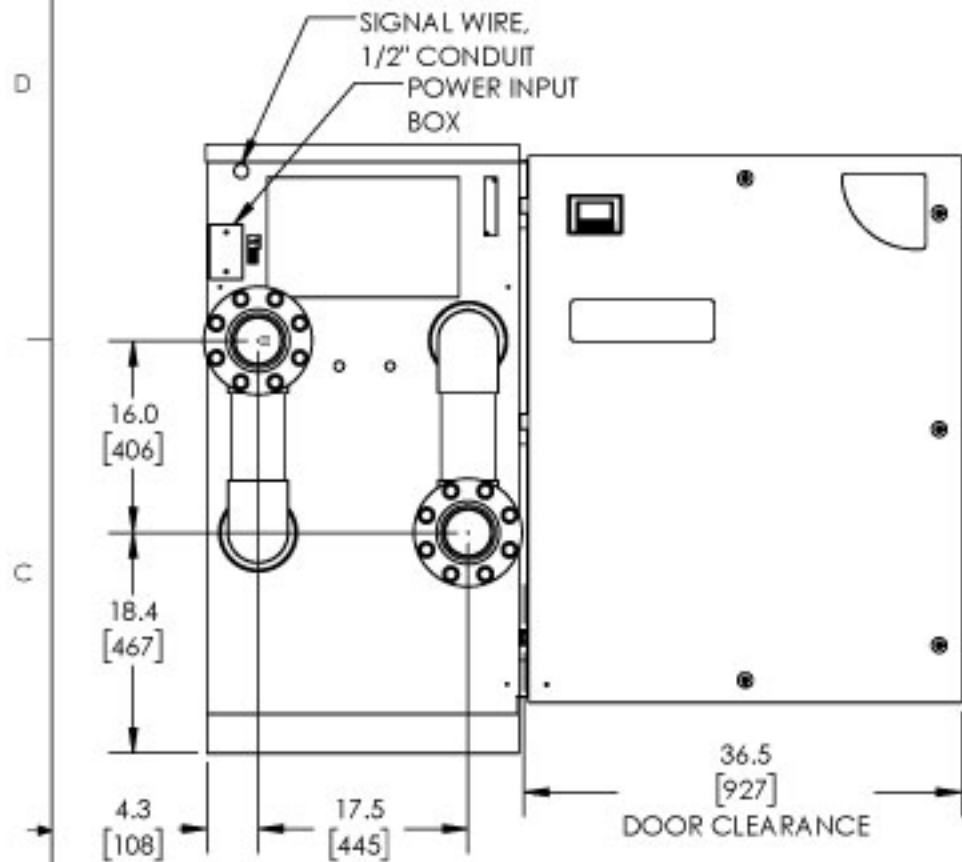


REVISIONS			
REV.	DESCRIPTION	ECN #	DATE
A	INITIAL RELEASE	NPID105	05/05/2021

SPECIFICATIONS	
MODEL	UVC-PRO-350DXX-XX
POWER	240 V / 3.4 A / 60 Hz
ENCLOSURE RATING	NEMA 12
AMBIENT OPERATING TEMP.	40 - 110 °F (5 - 43 °C)
OPERATING FLOW RANGE	125 - 350 GPM
MAXIMUM OPERATING PRESSURE	50 PSI
MAXIMUM WATER TEMP.	102 °F (39 °C)
APPROVALS	UL, NSF



NOTES: UNLESS OTHERWISE SPECIFIED

⚠ 4" FEMALE PVC SOCKET FLANGES, FLANGE GASKETS AND HARDWARE INCLUDED IN PARTS KIT.

2. UVC-PRO-350D-01 MODEL SHOWN.

PROPRIETARY AND CONFIDENTIAL
 THE INFORMATION CONTAINED IN THIS DRAWING IS THE SOLE PROPERTY OF CUSTOM MOLDED PRODUCTS. ANY REPRODUCTION IN PART OR AS A WHOLE WITHOUT THE WRITTEN PERMISSION OF CUSTOM MOLDED PRODUCTS IS PROHIBITED.

UNLESS OTHERWISE SPECIFIED DIMENSIONS ARE IN INCHES (MM)

TOLERANCES:
 X ± .1
 XX ± .02
 XXX ± .010
 ANGLES: ± 1°

DRAWING STATE:

PROJECT #/DCN #:

ENGINEERING DESIGN

DATE

T.MOVEL

3/5/2021

ENGINEERING APPROVAL

MATERIAL

NA

FRSH

NA

CAD-GENERATED DRAWINGS
 DO NOT MANUALLY UPDATE

SCALE: 1:16
 DO NOT SCALE DRAWING

WEIGHT:

CMP

TITLE:

SPECIFICATION, DWG,
 UVC-PRO-350DXX-XX

PART NO.

4-2696-08

REV

A

SHEET 1 OF 1