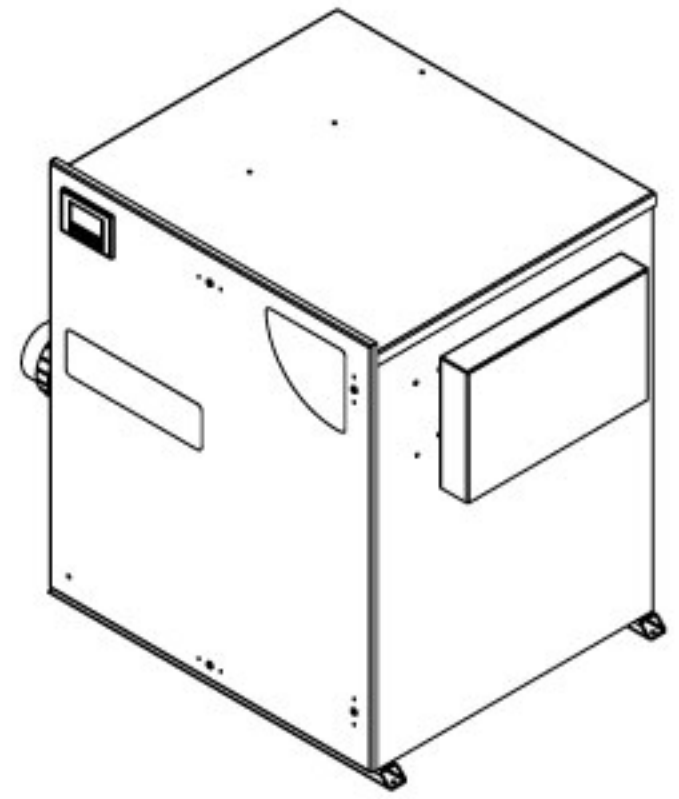
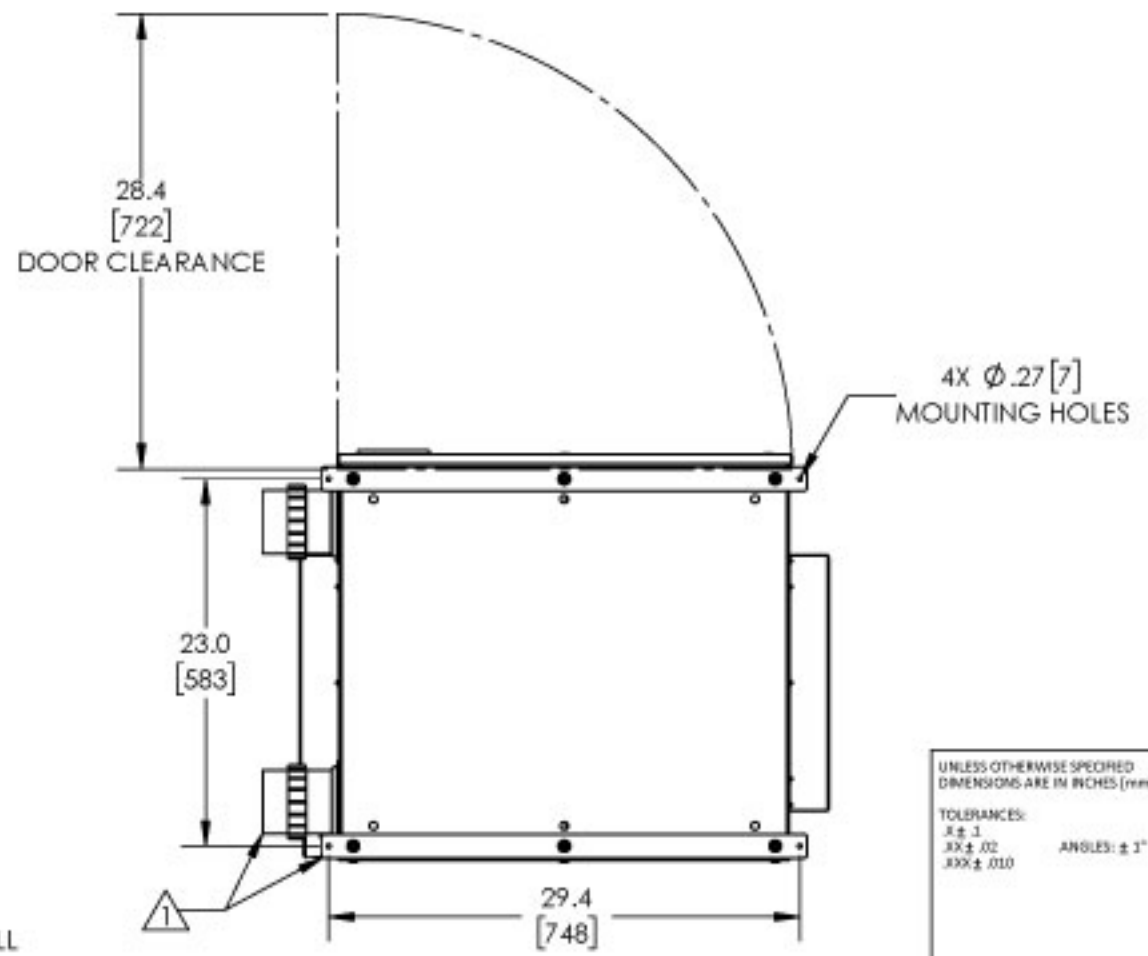
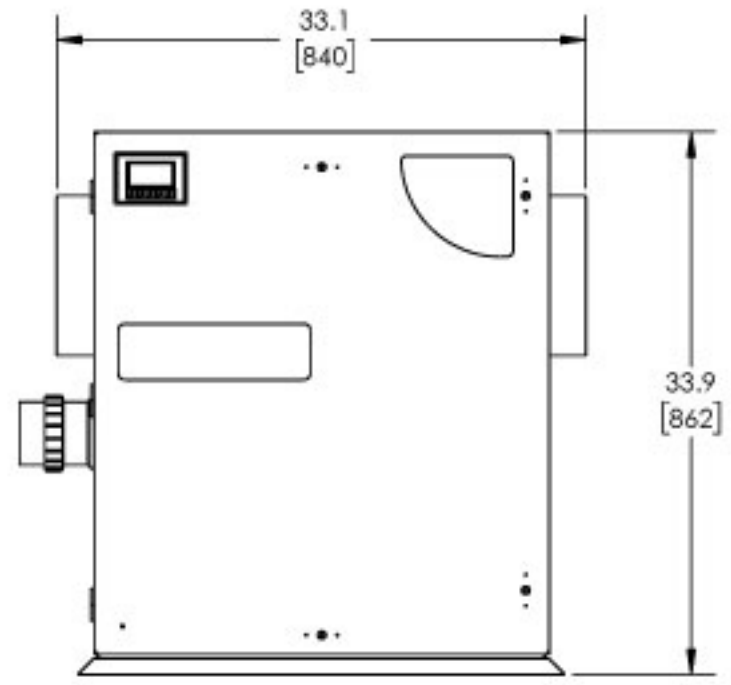
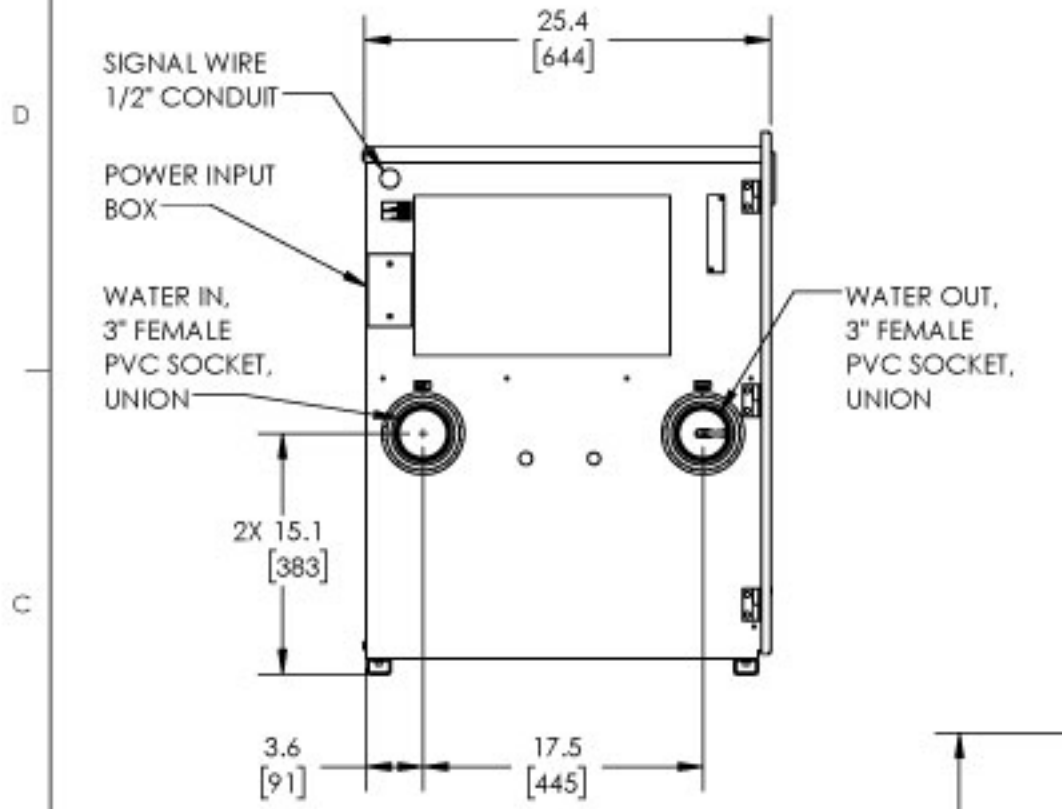


REVISIONS			
REV.	DESCRIPTION	ECN #	DATE
A	INITIAL RELEASE	NP0105	6/10/2021

SPECIFICATIONS	
MODEL	UVC-PRO-200DXX-XX
POWER	240 V / 2.0 A / 60 Hz
ENCLOSURE RATING	NEMA 12
AMBIENT OPERATING TEMP.	40 - 110 °F (5 - 43 °C)
OPERATING FLOW RANGE	65 - 200 GPM
MAXIMUM OPERATING PRESSURE	50 PSI
MAXIMUM WATER TEMP.	102 °F (39 °C)
APPROVALS	UL, NSF



NOTES: UNLESS OTHERWISE SPECIFIED

▲ 3" FEMALE PVC SOCKET UNIONS AND FLOOR/WALL MOUNTING BRACKETS INCLUDED IN PARTS KIT.

2. UVC-PRO-200D-01 MODEL SHOWN.

**PROPRIETARY AND CONFIDENTIAL**

THE INFORMATION CONTAINED IN THIS DRAWING IS THE SOLE PROPERTY OF CUSTOM MOLDED PRODUCTS. ANY REPRODUCTION IN PART OR AS A WHOLE WITHOUT THE WRITTEN PERMISSION OF CUSTOM MOLDED PRODUCTS IS PROHIBITED.

UNLESS OTHERWISE SPECIFIED DIMENSIONS ARE IN INCHES (mm)		DRAWING STATE:	
TOLERANCES:	ANGLES: ± 1°	PROJECT #/ECN #:	
X ± .1		ENGINEERING DESIGN	DATE
XX ± .02		T.MOENL	6/10/2021
XXX ± .010		ENGINEERING APPROVAL	
MATERIAL	NA	SCALE: 1:12	
FINISH	NA	WEIGHT:	
		DO NOT SCALE DRAWING	

**CMP**

TITLE: SPECIFICATION, DWG, UVC-PRO-200DXX-XX

PART NO. 4-2696-06

REV A

SHEET 1 OF 1