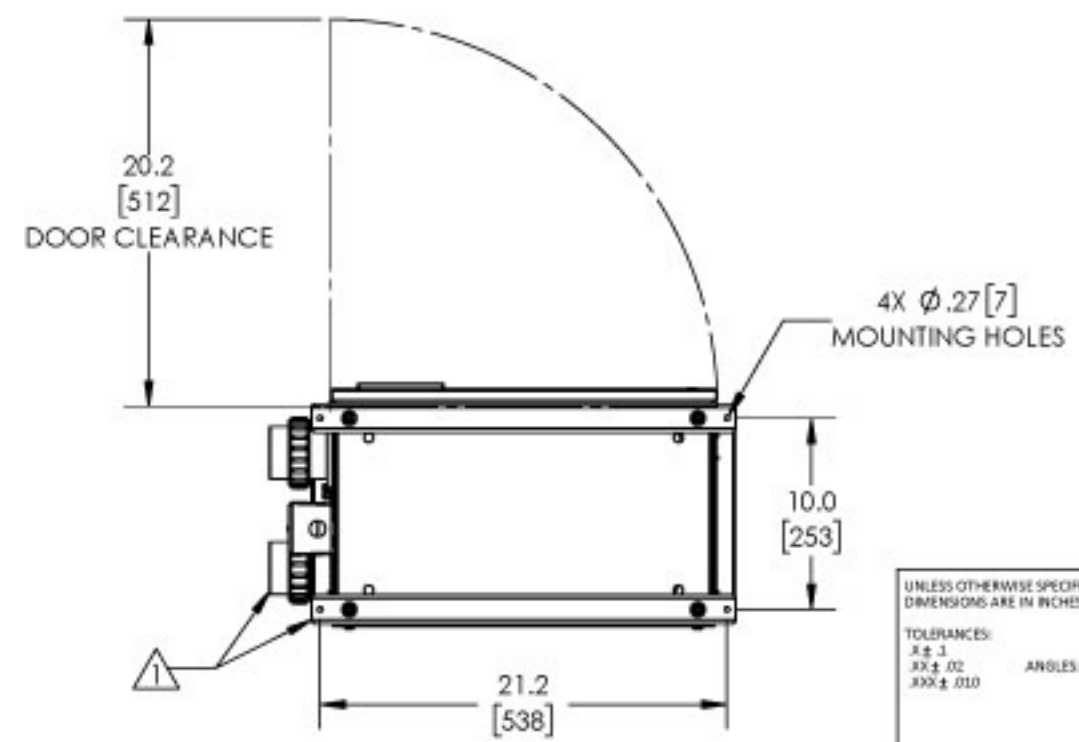
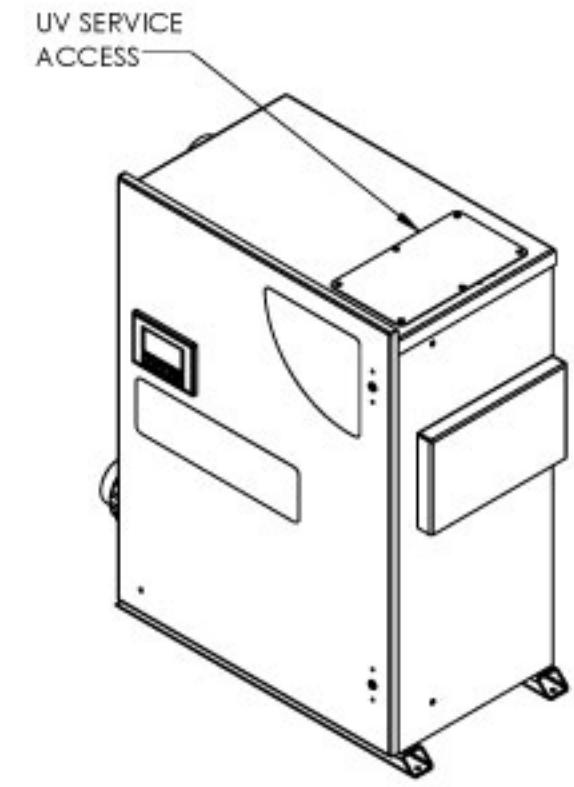
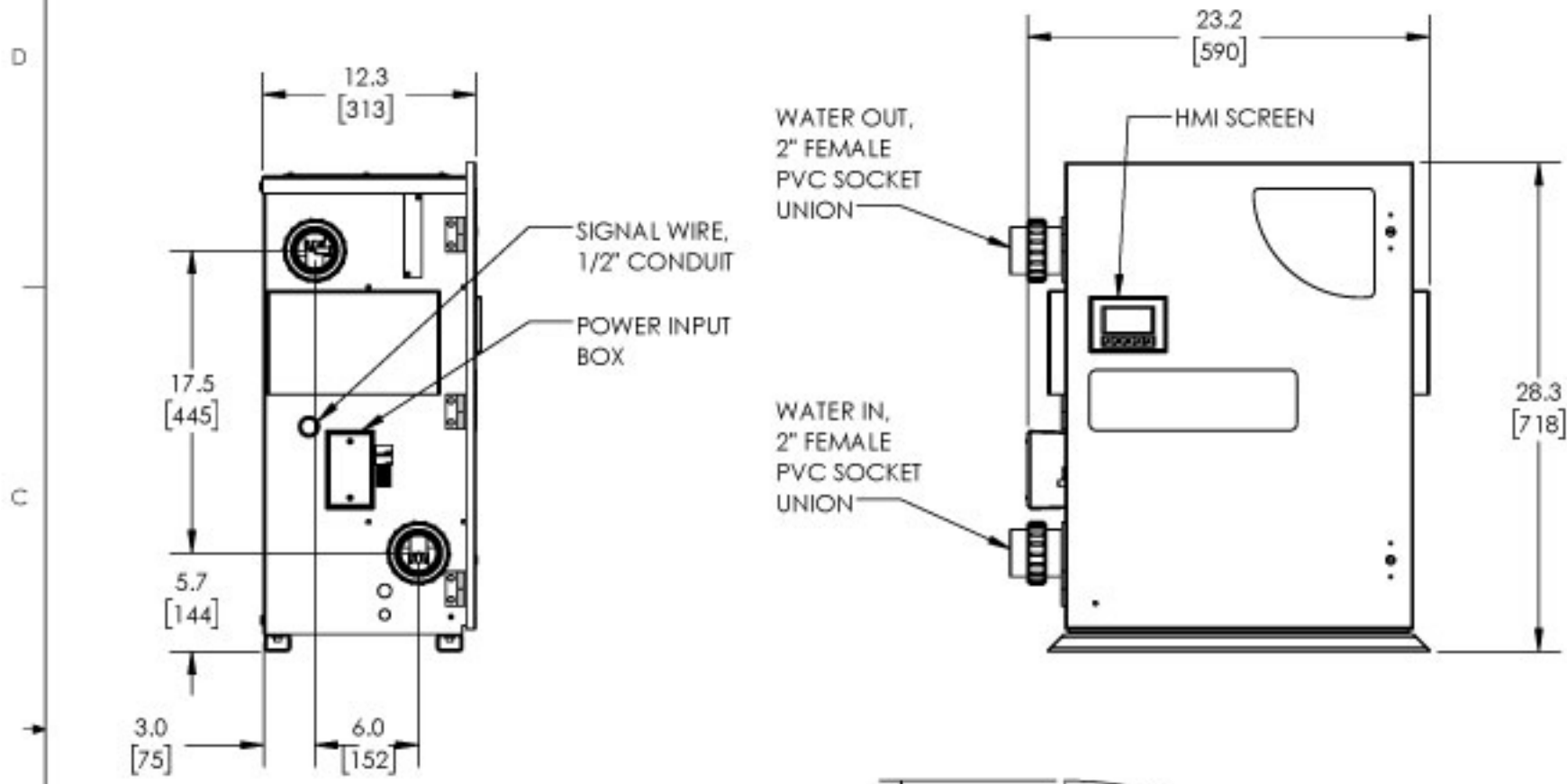


REVISIONS			
REV.	DESCRIPTION	ECN #	DATE
A	INITIAL RELEASE	NP0105	5/21/2021

SPECIFICATIONS	
MODEL	UVC-PRO-100DXX-XX
POWER	120 V / 2.4 A / 60 Hz
ENCLOSURE RATING	NEMA 12
AMBIENT OPERATING TEMP.	40 - 110 °F (5 - 43 °C)
OPERATING FLOW RANGE	20 -100 GPM
MAXIMUM OPERATING PRESSURE	50 PSI
MAXIMUM WATER TEMP.	102 °F (39 °C)
APPROVALS	UL, NSF



NOTES: UNLESS OTHERWISE SPECIFIED

⚠ 2" FEMALE PVC SOCKET UNIONS AND FLOOR/WALL MOUNTING BRACKETS INCLUDED IN PARTS KIT.

2. UVC-PRO-100D-01 MODEL SHOWN.

PROPRIETARY AND CONFIDENTIAL

THE INFORMATION CONTAINED IN THIS DRAWING IS THE SOLE PROPERTY OF CUSTOM MOLDED PRODUCTS. ANY REPRODUCTION IN PART OR AS A WHOLE WITHOUT THE WRITTEN PERMISSION OF CUSTOM MOLDED PRODUCTS IS PROHIBITED.

UNLESS OTHERWISE SPECIFIED DIMENSIONS ARE IN INCHES (MM)		DRAWING STATE:	
TOLERANCES: X ± .1 XX ± .02 XXX ± .010		PROJECT A/E/C/M R:	
ANGLES: ± 1°		ENGINEERING DESIGN	DATE
		T/MOREL	5/21/2021
		ENGINEERING APPROVAL	
MATERIAL	NA		
FINISH	NA		
		CAD GENERATED DRAWING DO NOT MANUALLY UPDATE	

CMP

TITLE: SPECIFICATION, DWG,
UVC-PRO-100DXX-XX

PART NO. 4-2696-04

REV A

SCALE: 1:10 WEIGHT: SHEET 1 OF 1