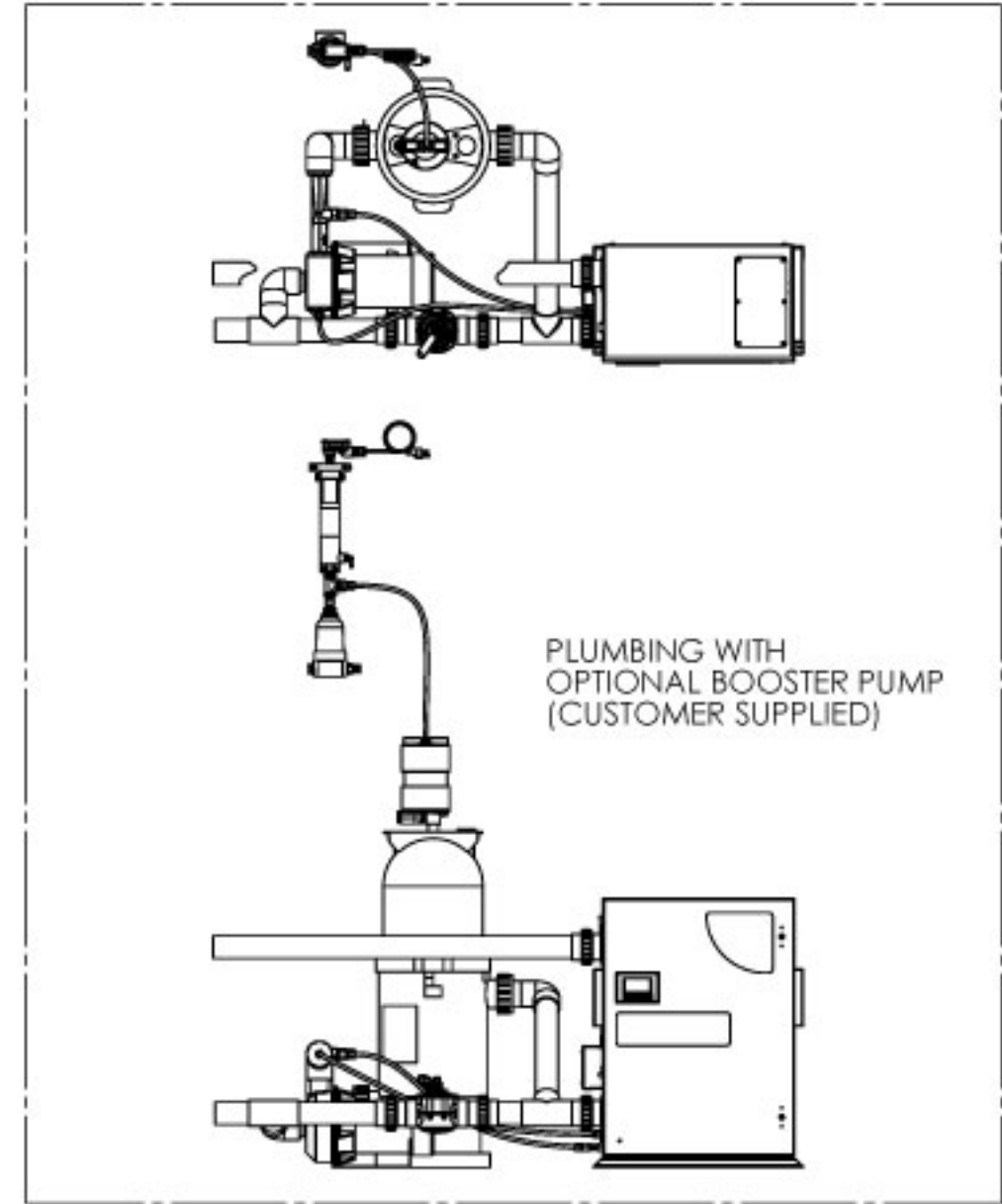
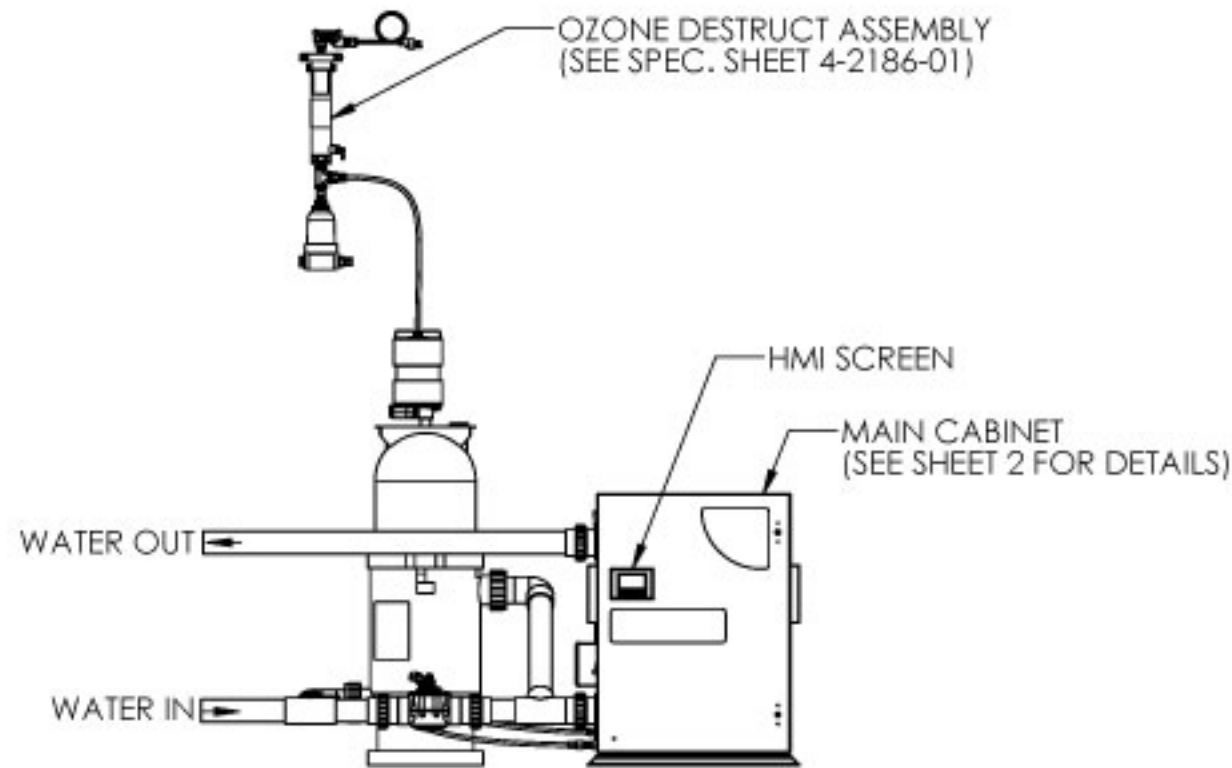
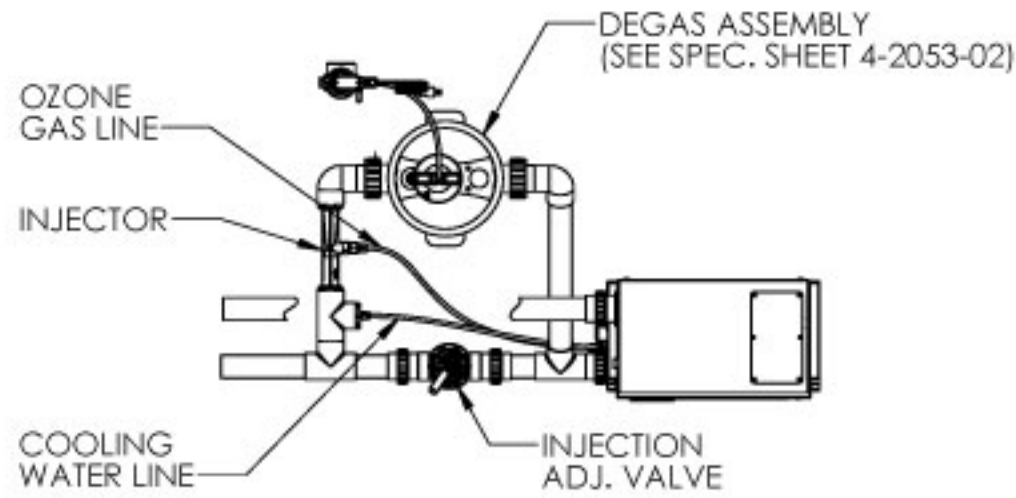


REVISIONS			
REV.	DESCRIPTION	ECN #	DATE
A	INITIAL RELEASE	NPD105	05/21/2021


SPECIFICATIONS	
MODEL	AOP-PRO-50DXX-XX
POWER	120 V / 2.7 A / 60 Hz
ENCLOSURE RATING	NEMA 12
AMBIENT OPERATING TEMP.	40 - 110 °F (5 - 43 °C)
OPERATING FLOW RANGE	20 -50 GPM
MAXIMUM OPERATING PRESSURE	50 PSI
MAXIMUM WATER TEMP.	102 °F (39 °C)
APPROVALS	UL, NSF



NOTES: UNLESS OTHERWISE SPECIFIED

1. AOP-PRO-50D-01 MODEL SHOWN.
2. PVC PIPE NOT INCLUDED.

PROPRIETARY AND CONFIDENTIAL
 THE INFORMATION CONTAINED IN THIS DRAWING IS THE SOLE PROPERTY OF CUSTOM MOLDED PRODUCTS. ANY REPRODUCTION IN PART OR AS A WHOLE WITHOUT THE WRITTEN PERMISSION OF CUSTOM MOLDED PRODUCTS IS PROHIBITED.

UNLESS OTHERWISE SPECIFIED DIMENSIONS ARE IN INCHES (mm) TOLERANCES: X ± .1 XX ± .02 XXX ± .010 ANGLES: ± 1°	DRAWING STATE:			
	PROJECT R/ECN #:			
	ENGINEERING DESIGN	DATE	TITLE: SPECIFICATION, DWG, AOP-PRO-50DXX-XX	
	T.MOER	5/21/2021		
ENGINEERING APPROVAL		PART NO.		REV
MATERIAL		4-2658-02		A
FINISH		SCALE: 1:20		WEIGHT:
NA		DO NOT SCALE DRAWING		SHEET 1 OF 2