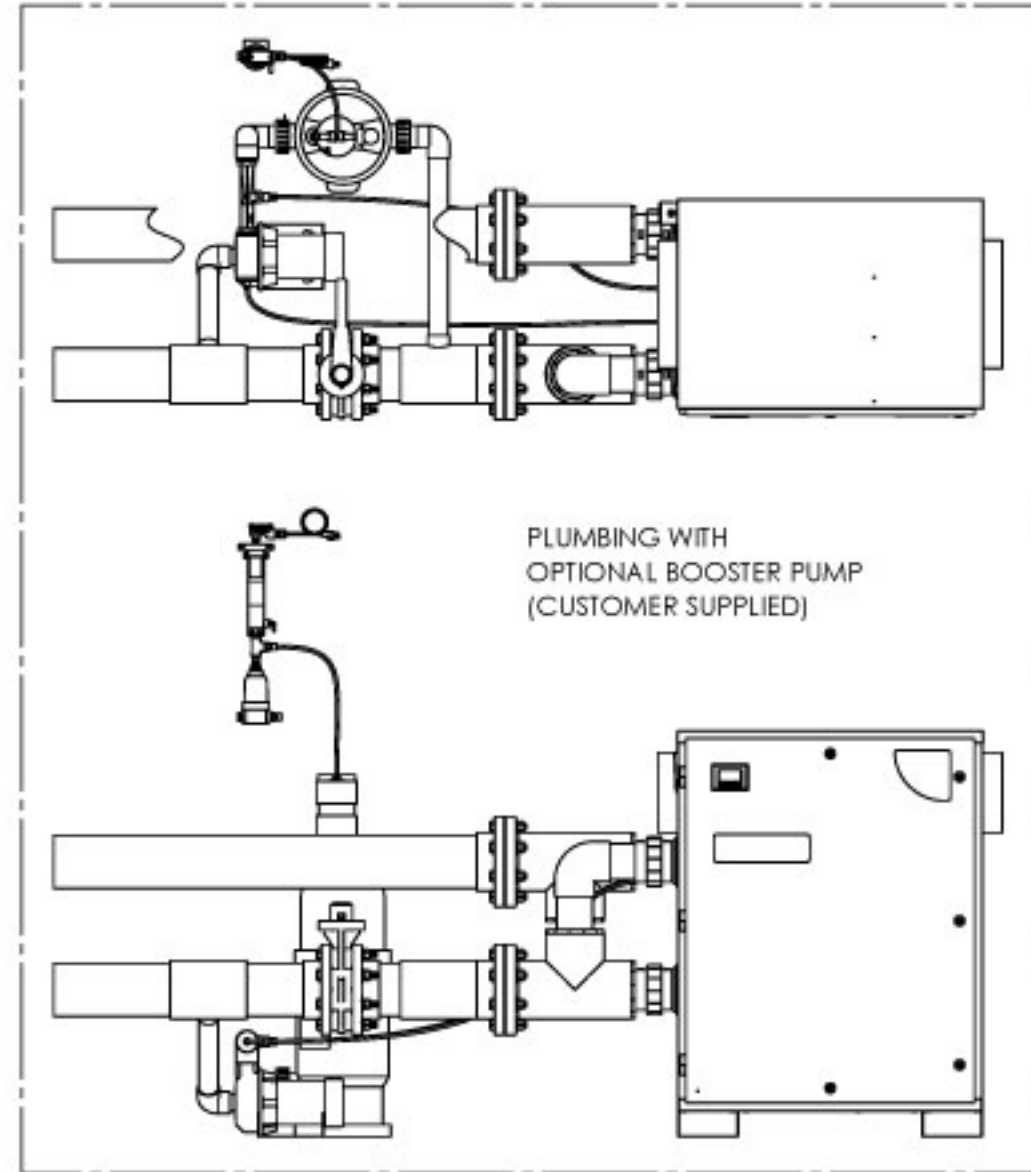
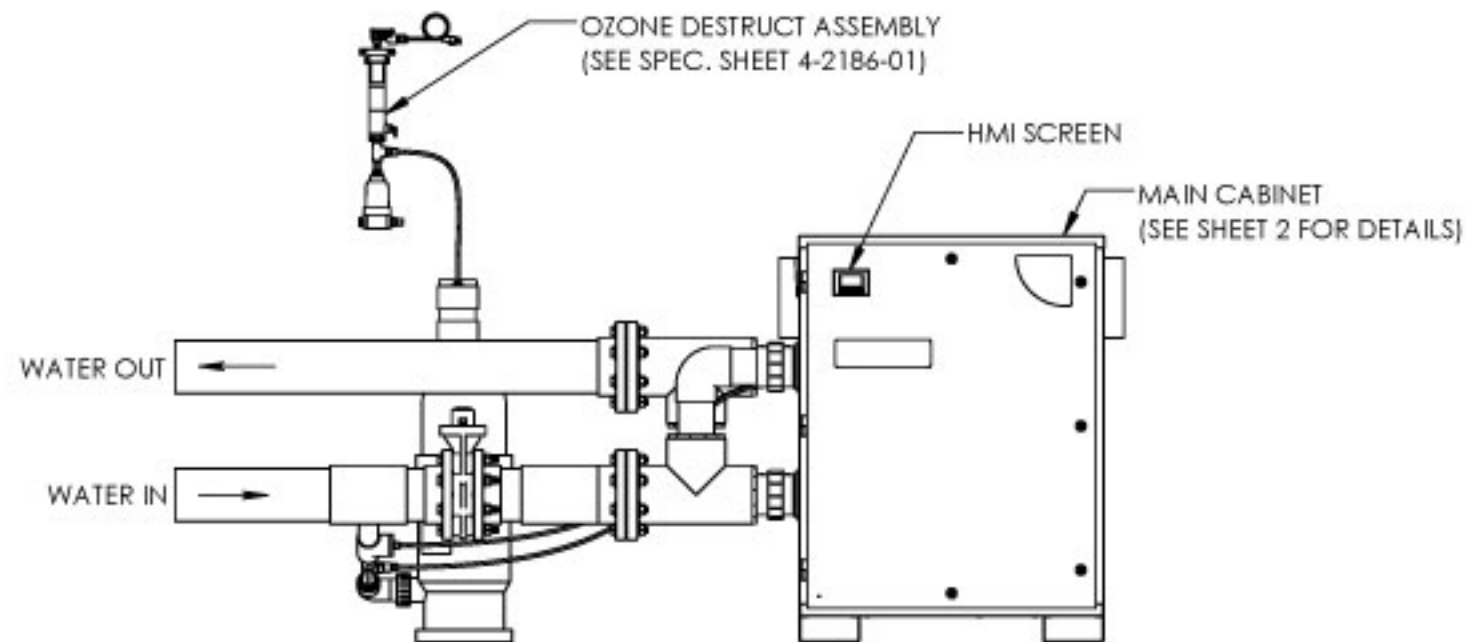
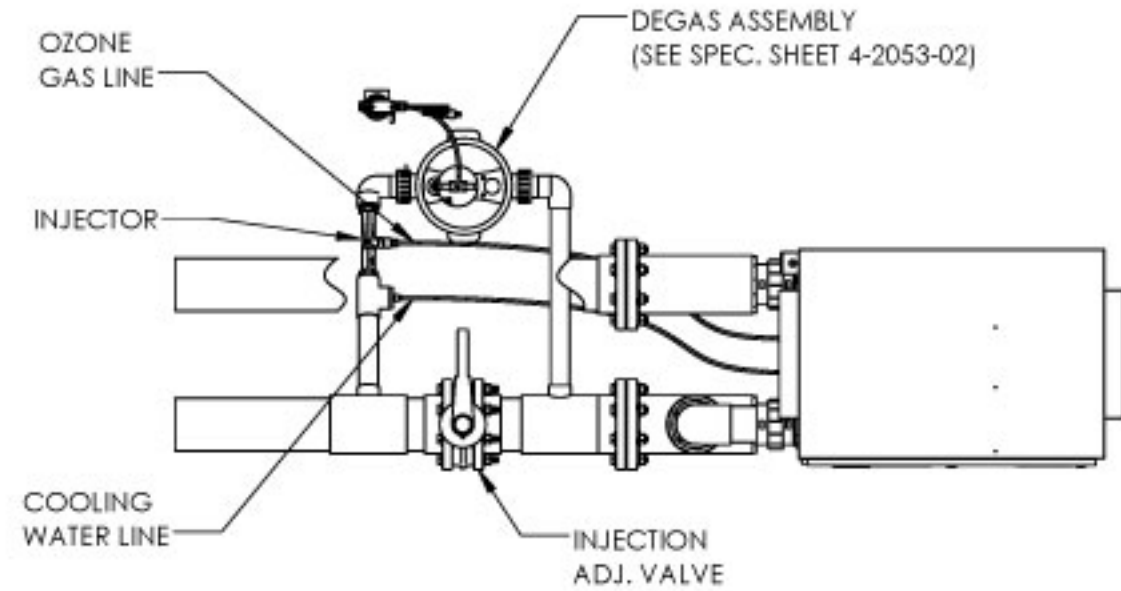


REVISIONS			
REV.	DESCRIPTION	ECN #	DATE
A	INITIAL RELEASE	NP0105	4/22/2021

SPECIFICATIONS	
MODEL	AOP-PRO-500DXX-XX
POWER	240 V / 8.8 A / 60 Hz
ENCLOSURE RATING	NEMA 12
AMBIENT OPERATING TEMP.	40 - 100 °F (5 - 38 °C)
OPERATING FLOW RANGE	125 - 500 GPM
MAXIMUM OPERATING PRESSURE	50 PSI
MAXIMUM WATER TEMP.	102 °F (39 °C)
APPROVALS	UL, NSF



NOTES: UNLESS OTHERWISE SPECIFIED

1. AOP-PRO-500D-01 MODEL SHOWN.
2. PVC PIPE NOT INCLUDED.

PROPRIETARY AND CONFIDENTIAL

THE INFORMATION CONTAINED IN THIS DRAWING IS THE SOLE PROPERTY OF CUSTOM MOLDED PRODUCTS. ANY REPRODUCTION IN PART OR AS A WHOLE WITHOUT THE WRITTEN PERMISSION OF CUSTOM MOLDED PRODUCTS IS PROHIBITED.

UNLESS OTHERWISE SPECIFIED DIMENSIONS ARE IN INCHES (MM)

TOLERANCES:
 X ± .1
 XX ± .02
 XXX ± .010

ANGLES: ± 1°

DRAWING STATE:	
PROJECT A/ECN #:	
ENGINEERING DESIGN	DATE
T.MCNEIL	4/23/2021
ENGINEERING APPROVAL:	

MATERIAL
 NA
 FINISH
 NA

CAD GENERATED DRAWING
 DO NOT MANUALLY UPDATE

CMP

TITLE: SPECIFICATION, DWG,
 AOP-PRO-500DXX-XX

PART NO.
 4-2658-10

REV
 A

SCALE: 1:24
 DO NOT SCALE DRAWING WEIGHT:

SHEET 1 OF 2