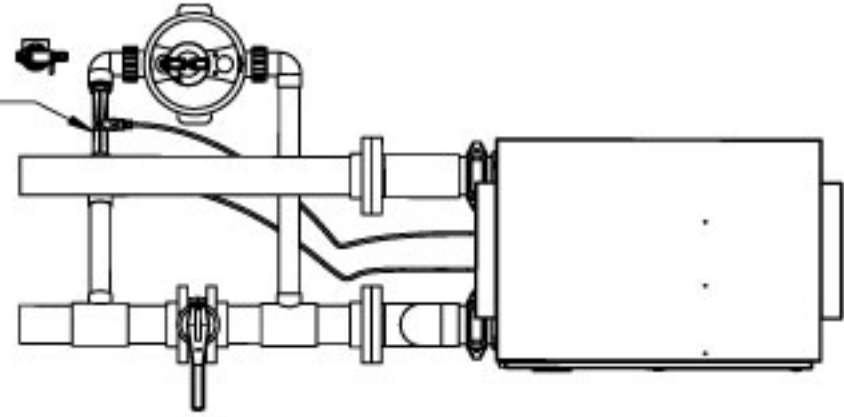


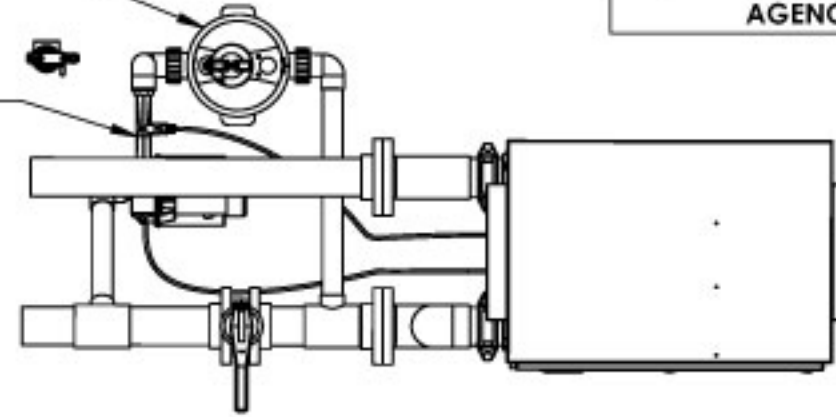
SPECIFICATIONS	
MODEL	AOP-PRO-350DXX-XX
POWER SPECS.	120 V / 11.4A / 60Hz
OPERATING TEMPERATURE	34 - 120°F (0 - 48°C)
OPERATING FLOW RANGE	350 GPM
MAXIMUM PRESSURE	50 PSI @ 70°F
AGENCY APPROVALS	NSF

MDV XL MIXING VESSEL  
SEE SPECIFICATION SHEET  
(4-2695-01)

MAZZEI  
1584 INJECTOR



MAZZEI  
1584 INJECTOR



NOTES:

△ PIPE NOT INCLUDED

VENT  
OFF GAS INLET  
TO DRAIN

OFF GAS TO  
DESTRUCT INLET

HMI PANEL

RETURN TO POOL

FROM POOL

STANDARD PACKAGE  
AOP-PRO-350D-01

DD-0650  
OZONE DESTRUCT  
SEE SPECIFICATION  
SHEET (4-2186-01)

DEGAS VALVE (INCLUDED WITH MDV-XL)

SEE SHEET 2  
FOR DIMENSION SPECIFICATION

OPTIONAL  
BOOSTER PUMP

AOP-PRO-350D-02

NOTES:

- UNLESS OTHERWISE SPECIFIED  
DIMENSIONS ARE IN INCHES (mm)

TOLERANCES:  
X ± 0.1  
XX ± 0.02  
XXX ± 0.010  
ANGULAR: ± 1°

DRAWING STATE:

PROJECT #/CNR:

ENGINEERING DESIGN

DATE

1/31/2019

ENGINEERING APPROVAL

**CMP**

TITLE:

SPECIFICATION, DWG,  
AOP-PRO-350DXX-XX

PART NO.

4-2658-08

REV

11

**PROPRIETARY AND CONFIDENTIAL**

THE INFORMATION CONTAINED IN THIS DRAWING IS THE SOLE PROPERTY OF  
CUSTOM MOLDED PRODUCTS. ANY REPRODUCTION IN PART OR AS A WHOLE  
WITHOUT THE WRITTEN PERMISSION OF CUSTOM MOLDED PRODUCTS IS  
PROHIBITED.

MATERIAL

FINISH

CAD GENERATED DRAWINGS  
DO NOT MANUALLY UPDATE

SCALE: 1:24

WEIGHT:

SHEET 1 OF 2