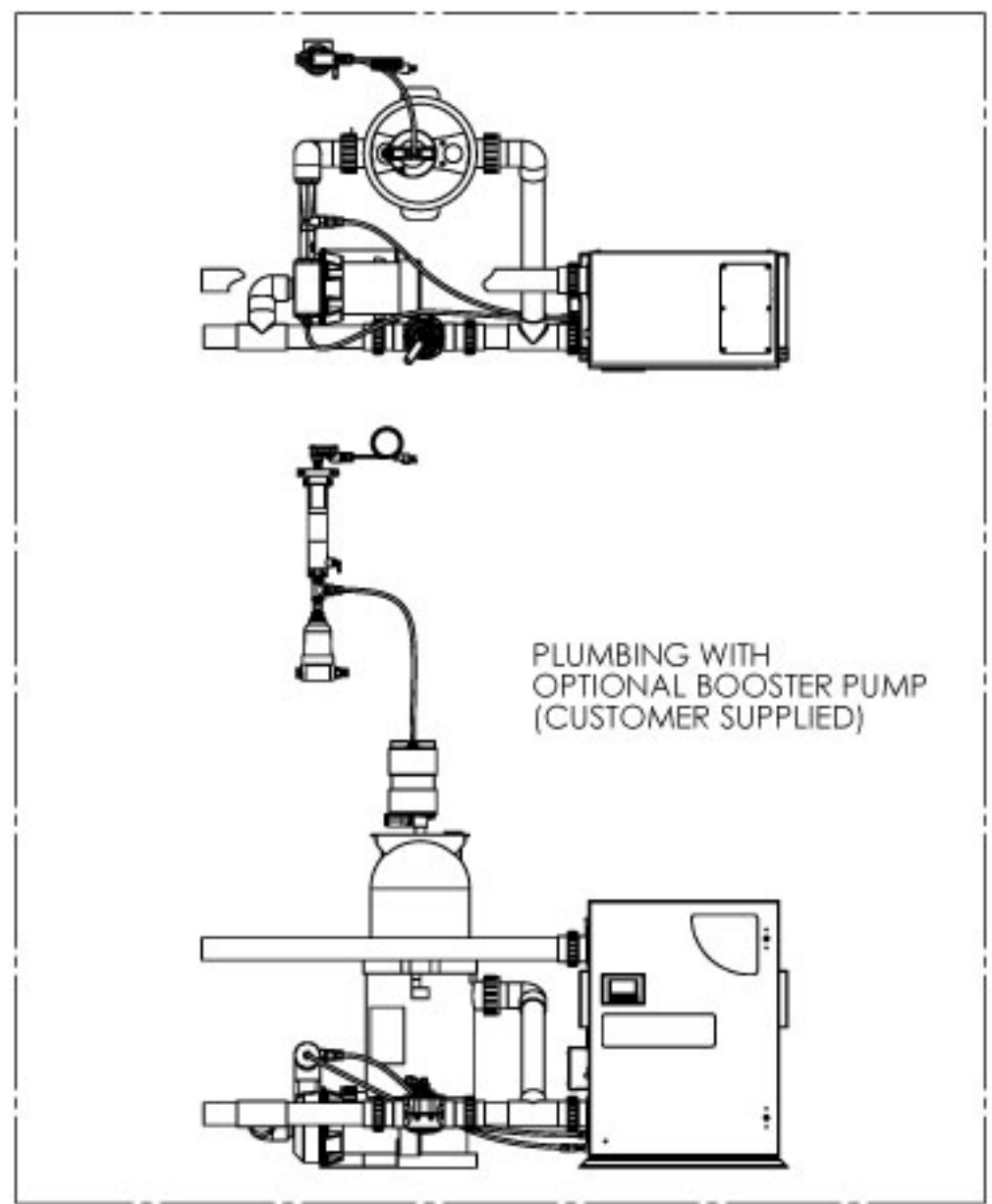
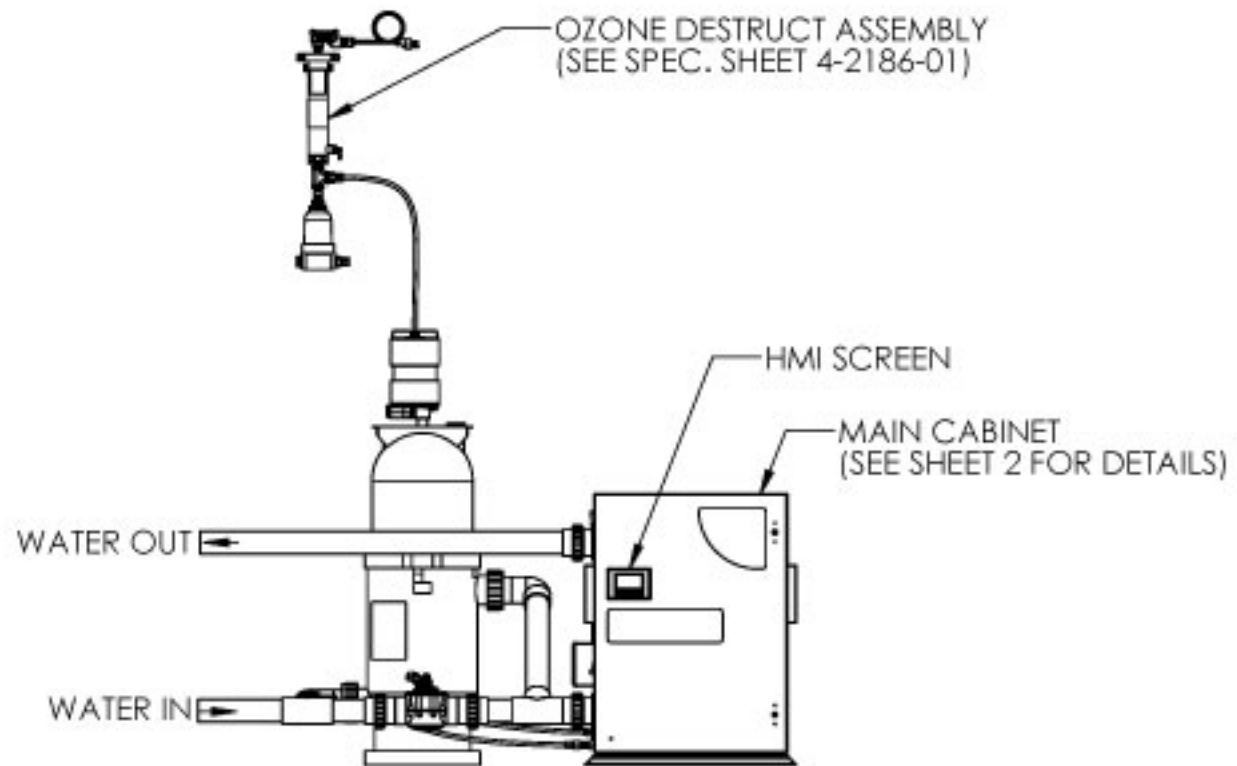
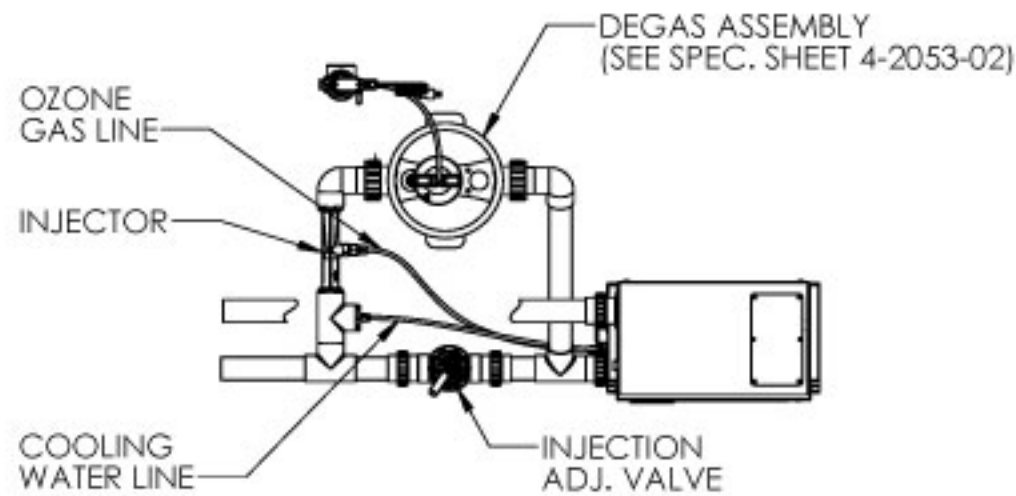


REVISIONS			
REV.	DESCRIPTION	ECN #	DATE
A	INITIAL RELEASE	NPD105	05/14/2021


SPECIFICATIONS	
MODEL	AOP-PRO-100DXX-XX
POWER	120 V / 4.0 A / 60 Hz
ENCLOSURE RATING	NEMA 12
AMBIENT OPERATING TEMP.	40 - 110 °F (5 - 43 °C)
OPERATING FLOW RANGE	20 -100 GPM
MAXIMUM OPERATING PRESSURE	50 PSI
MAXIMUM WATER TEMP.	102 °F (39 C)
APPROVALS	UL, NSF



- NOTES: UNLESS OTHERWISE SPECIFIED
1. AOP-PRO-100D-01 MODEL SHOWN.
 2. PVC PIPE NOT INCLUDED.

PROPRIETARY AND CONFIDENTIAL

THE INFORMATION CONTAINED IN THIS DRAWING IS THE SOLE PROPERTY OF CUSTOM MOLDED PRODUCTS. ANY REPRODUCTION IN PART OR AS A WHOLE WITHOUT THE WRITTEN PERMISSION OF CUSTOM MOLDED PRODUCTS IS PROHIBITED.

UNLESS OTHERWISE SPECIFIED DIMENSIONS ARE IN INCHES (mm) TOLERANCES: X ± .1 XX ± .02 XXX ± .010 ANGLES: ± 1°	DRAWING STATE:		
	PROJECT #/ECN #:		
	ENGINEERING DESIGN	DATE	
	T.MORER	5/14/2021	
ENGINEERING APPROVAL:		TITLE:	SPECIFICATION, DWG, AOP-PRO-100DXX-XX
MATERIAL		PART NO.	4-2658-04
FRISH		SCALE: 1:20	WEIGHT:
NA		DO NOT SCALE DRAWING	SHEET 1 OF 2
			REV A