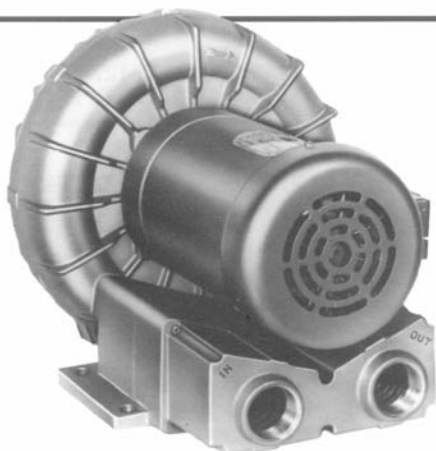


Oilless Regenerative Blowers, Motor Mounted to 160 cfm



REGENAIR® R5 Series



MODELS R5325A-2/R5125-2

65" H₂O MAX. PRESSURE, 160 CFM OPEN FLOW
60" H₂O MAX. VACUUM, 145 CFM OPEN FLOW

PRODUCT FEATURES

- Oilless operation
- TEFC motor mounted
- Can be mounted in any plane
- Rugged construction/low maintenance
- Class B insulation on motors
- Automatic restart thermal protection on motors

COMMON MOTOR OPTIONS

- 115/208-230V, 60 Hz; 110/220-240V, 50 Hz, single phase
- 208-230/460V, 60 Hz; 190-220/380-415V, 50 Hz, three phase
- 575V, 60 Hz, three phase

RECOMMENDED ACCESSORIES

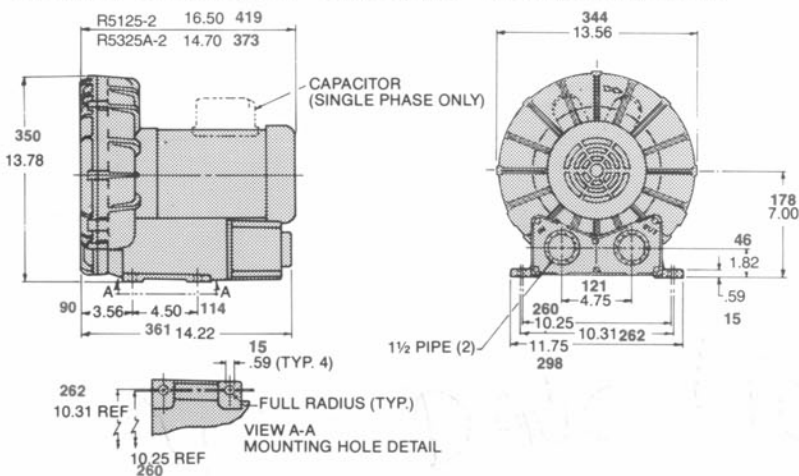
- Pressure gauge AE133
- Filter AJ126D (pressure)
- Vacuum gauge AJ497
- In-line filter AJ151E (vacuum)
- Muffler AJ121D
- Relief valve AG258
- Nema motor starter size – 1/0 (R5125-2), 0/00 (R5325A-2), for 60 Hz operation
- Moisture separator RMS200 (vacuum)

Various brand name motors are used on any model at the discretion of Gast Mfg. Corp.

Important Notice:

Pictorial, performance and dimensional data is subject to change without notice.

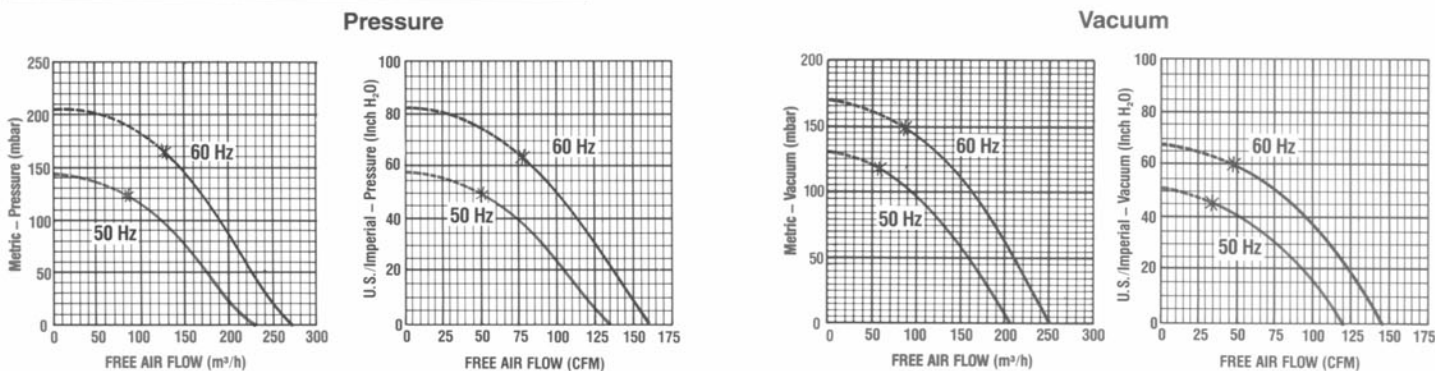
Product Dimensions Metric (mm) U.S. Imperial (inches)



Product Specifications

Model Number	Motor Specs	Full Load Amps	Locked Rotor Amps	HP	RPM	Max Vac		Max Pressure		Max Flow		Net Wt.	
						"H ₂ O	mbar	"H ₂ O	mbar	cfm	m ³ h	lbs.	kg
R5325A-2	190-220/380-415-50-3	6.6-6.7/3.3-3.5	58.0 @ 230V	1.85	2850	47	117	50	125	133	226	65	29.5
	208-230/460-60-3	6.9-6.9/3.45		2.5	3450	60	149	65	162	160	272		
R5125-2	110/220-240-50-1	17.6/8.8-9.5	76.0 @ 230V	1.5	2850	47	117	50	125	133	226	76	34.5
	115/208-230-60-1	23.6/12.9-11.8		2.5	3450	60	149	65	162	160	272		

Product Performance (Metric U.S. Imperial)



*Recommended maximum duty.
---- Intermittent duty only.