

CN-P Series - Cupro-Nickel Pool Heat Exchangers

The use of external sources of heat as a means of swimming pool heating has increased significantly over the past decade.

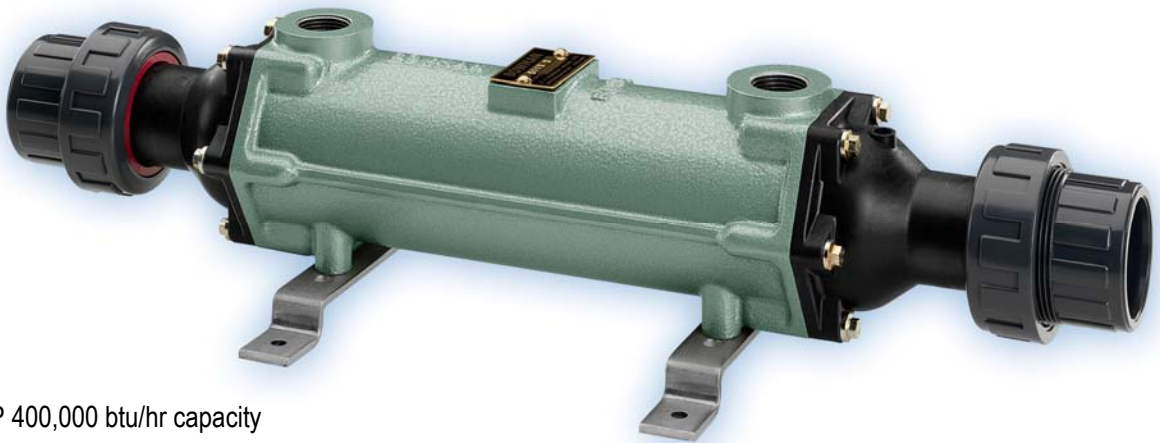
Indirect pool heating is become increasingly popular and is growing with alternative heating applications such as hydronic heating, solar thermal, geothermal and biomass heating.

These alternative heating applications are energy efficient and will grow in popularity due to rising energy prices.

In recent years there has been considerable growth in the popularity of saltwater pools. In certain areas of North America saltwater pools account for over 80% of all new installations.

The Bowman CN-P Series Cupro-Nickel Pool Heat Exchangers are designed specifically for saltwater water pool applications. Cupro Nickel is used widely in marine applications.

The CN Series is available in capacities ranging from 200,000 Btu/hr to 1,500,000 Btu/hr.



Shown: CN400P 400,000 btu/hr capacity

Features

- High Efficiency
- Compact Design
- Sturdy Construction
- Removable Tubestacks
- Quick Delivery from Stock

Applications

- Pools, Spas, and hot tubs
- Domestic hot water
- Sea water applications
- Waste water heat recovery
- Freshwater Aquaculture
- Aquaponics

Standard Material

- Tube side (Pool Water): Cupro Nickel
- Shell Side (Boiler Water) Bronze or Cast Iron

Maximum Pressure

- Hot Side: 6 barg (87psig)
- Cold Side: 6 barg (87psig)

Maximum Temperature

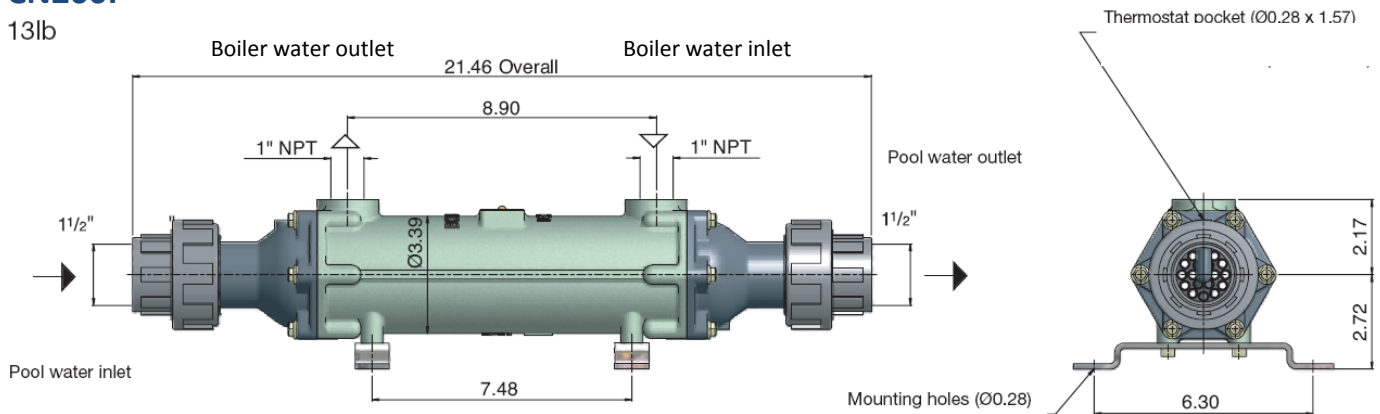
- 100 Deg. C



Optional: Connect to PVC Kit

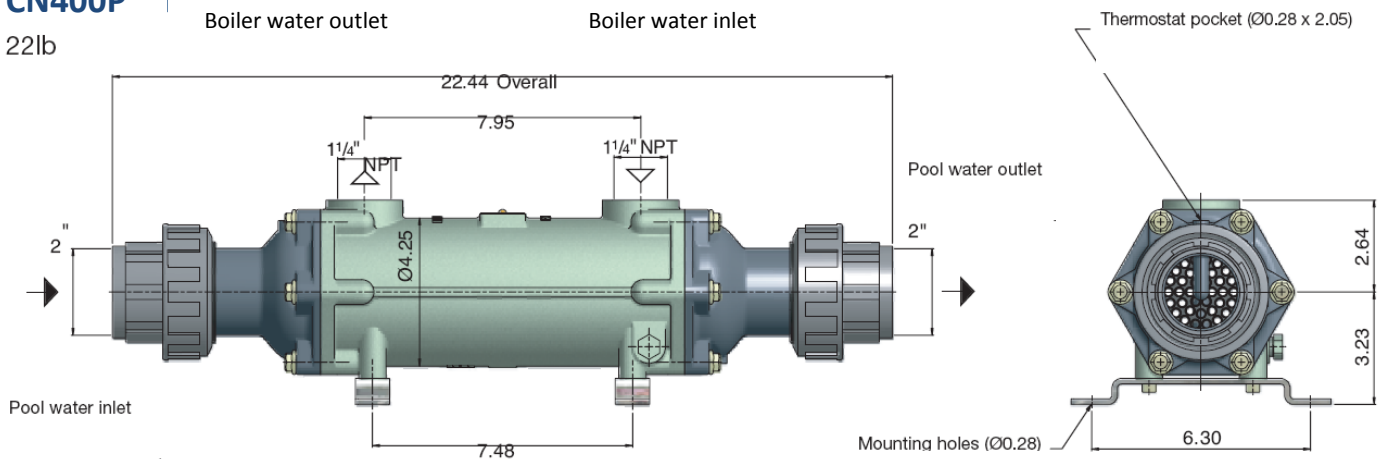
CN200P

13lb

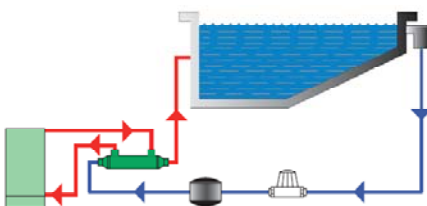


CN400P

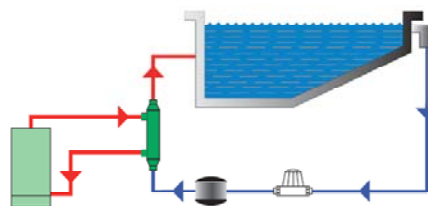
22lb



Horizontal Installation



Vertical Installation



Capacity

CN200P	200,000 BTU/Hr*
CN400P	400,000 BTU/Hr*

Quick Sizing Reference **

CN200P	- for pools up to 20,000 US Gallons*
CN400P	- for pools up to 42,000 US Gallons*

* Based on boiler water temperature at 180°F

** Based on pool temperature at 84°F

Other Models Available

CN650	650,000 BTU/Hr
CN1000	1,000,000 BTU/Hr
CN1500	1,500,000 BTU/Hr

Call for sizing recommendations.



Manufactured under ISO 9001-2008 quality guidelines

Stocking Distributors for North America

Telephone Toll Free North America and Canada: 1-877-751-9414

70 Esna Park Drive, Unit 3
Markham, ON L3R 6E7
Tel: 905-940-0961
Fax: 905-940-0983

VALUTECH
Meeting Process Industry Needs

Email: info@valutechinc.com

www.valutechinc.com