

8

7

6

5

4

3

2

1

D

D

C

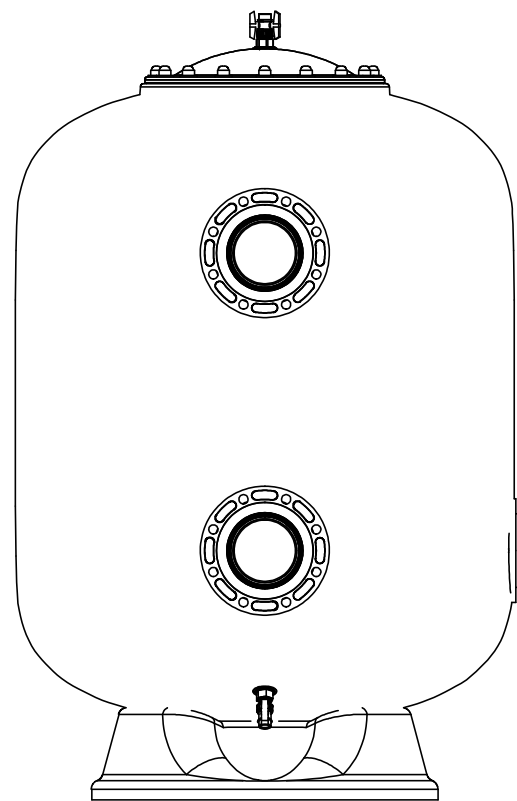
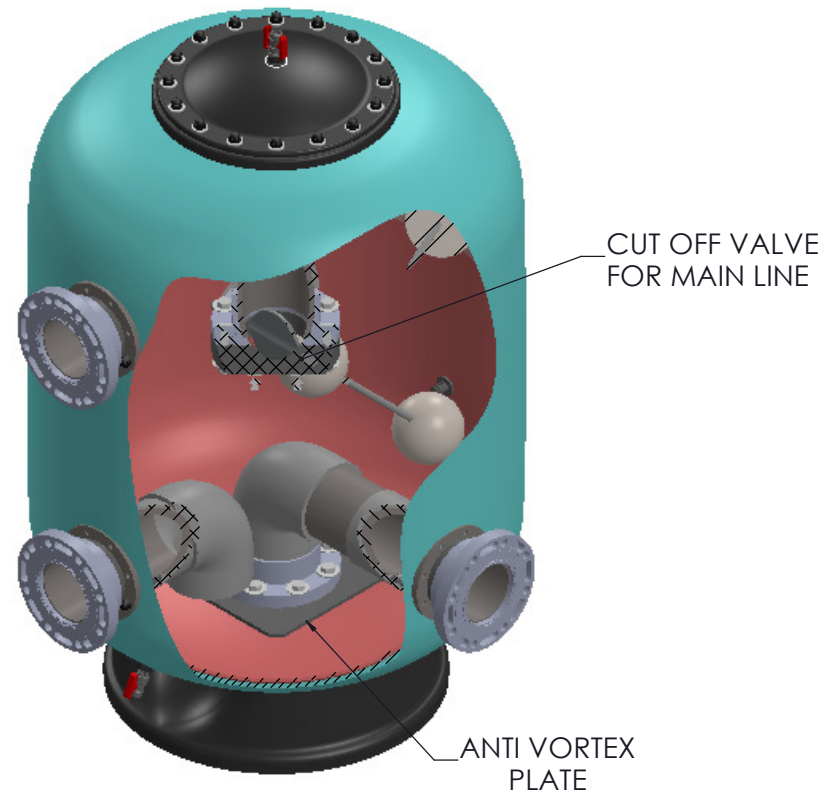
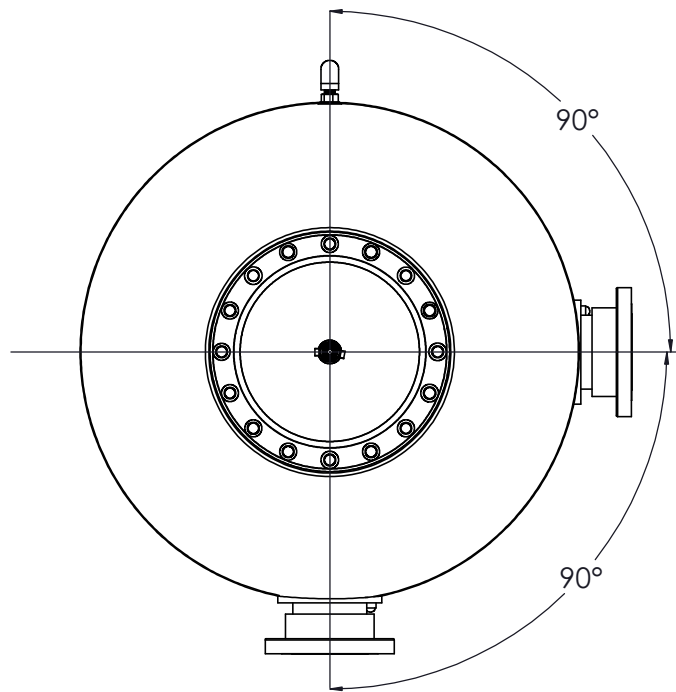
C

B

B

A

A



PUMP LINE

GUTTER LINE

MAIN LINE IN

WATER DRAIN

VENT

MANWAY

3/4 CLEAR TUBE SIGH GLASS

PROPRIETARY AND CONFIDENTIAL
 This drawing is the property of Fluidra U.S.A. and contains confidential information belonging to the same. This drawing is made available on the specific condition that neither it nor the information contained on it will be disclosed or made available without written consent of Fluidra U.S.A.

SCALE:	DWG. NO.	REV	SIZE	SHEET 1 OF 1
SCALE: 1:12	BALANCE TANK		D	

8

7

6

5

4

3

2

1