

**HORIZONTAL COMPOSITE HIGH
RATE SAND FILTER
OWNER'S AND OPERATIONS
MANUAL**

TABLE OF CONTENTS

1. General
 - 1.1 Swimming pool filters
 - 1.2 Miami-Tank filters
 - 1.3 Selection of filters and installation
 - 1.3.1 Filter characteristics
 - 1.3.2 Installation characteristics
2. Characteristics and dimensions
 - 2.1 Dimensions and media requirements
 - 2.2 Single filter system
 - 2.3 Dual filter system
3. Installation
 - 3.1 General installation notes
 - 3.2 Filter installation
 - 3.3 Valve manifold and support installation
 - 3.4 Installation of the pressure gauges
 - 3.5 Testing of filter
 - 3.6 Installation of the media
4. Normal operation
 - 4.1 Filtration
 - 4.2 Backwash
 - 4.3 Rinse
 - 4.4 Empty
 - 4.5 Close/Isolate
 - 4.6 Valve manifold table of operation
5. Changing of the media
6. Other recommendations
7. Graph of filter head loss curve
8. Replacement part drawings and numbers
9. Warranty

1. General

1.1 Swimming Pool Filters

Filters are, without a doubt, the most important accessory used in the treatment of swimming pool water. Their purpose is to eliminate suspended particles from the circulating water, thus improving the clarity of the water.

The principle of operation consists of passing the swimming pool water through a bed of sand which will retain any particles that are suspended in the water.

It should be kept in mind that the filtration system consists of a number of elements, such as metering equipment, pumps, pool shell fittings and pipe work which ensure the correct suction and return flows that will affect the resultant condition of the treated water.

Normally each country (possibly each state) will have its own standards for public and private pools. It is the responsibility of the installer to be aware of these codes before designing, specifying or installing any piece of equipment for a swimming pool.

The quality of filtration depends on various factors: the size and shape of the media, the media bed depth, characteristics of the media such as granular size, density etc. A most important parameter is the water filtration rate. Other factors affecting the selection of a filter are the materials used for its construction, the working temperature, and the working pressure.

1.2 Fiberglass Filters

Manufactured from polyester resin and fiberglass, they are virtually corrosion-proof. The internal fittings (diffuser and lateral system) are manufactured from PVC and polypropylene. They are unaffected by salt water and are normally manufactured for a working pressure up to 50 psi and a maximum working temperature of 122° F.

Depending on the filtration velocity, filters are classified into three groups:

- SLOW RATE FILTERS: Filtration velocities 5 to 10 GPM per sq. ft.
- MEDIUM RATE FILTERS: Filtration velocities 10 to 15 GPM per sq. ft.
- HIGH RATE FILTERS: Filtration velocities in excess of 15 GPM per sq. ft.

For good filtration results, we recommend that filtration velocities of 15 GPM per sq. ft. are not exceeded, bearing in mind that the filtration velocity is dependent on the granular size of the media and the bed depth. It is also important to check all state and local codes that pertain to water filtration for swimming pools.

1.3 Selection of filters and installation

1.3.1 Filter Characteristics

It is recommended that the filtration system should filter at least 50% of the water from the surface of the pool as well as 50% from the lower levels of suction. The maximum turnover time for a public pool should not exceed 4 hours, and for semi-public pools 6 hours. In the case of public pools for children the turnover should not exceed 1½ hours. The times will vary from state to state and all local and state codes must be satisfied when using any filtration system.

Example:

If we have a public pool with a capacity of 150,000 gallons we need a filter capable of filtering this water in 4 hours:

$$150,000 \text{ gal} / 4 \text{ hours} = 37,500 \text{ gal/hour or } 625 \text{ GPM}$$

To obtain a high quality of water filtration we recommend that the filtration velocity should comply with the following:

Water parks 10 GPM per sq. ft. Commercial Pools 15 GPM per sq. ft.

$$625 \text{ GPM} / 10 \text{ GPM per sq. ft.} = 62.5 \text{ sq. ft. of filtration required}$$

Now choose the filter or filters that meet this requirement. Remember it is possible to add filters together to obtain the correct amount of filtration area required. It is also a good idea to oversize the surface area required by 10% or more, this will allow for better water quality. Whenever possible use more than one filter in conjunction, this will allow one filter to be serviced while one is still functioning.

When sizing the plumbing for a filtration package be sure to keep in mind that the velocity of the water in the pipes is very important. Each state or country may have different maximums for velocity in the plumbing. The recommendations are as follows: the return line should not exceed **6.5 ft/s** and the suction line should not exceed **5 ft/s**.

1.3.2 Installation characteristics

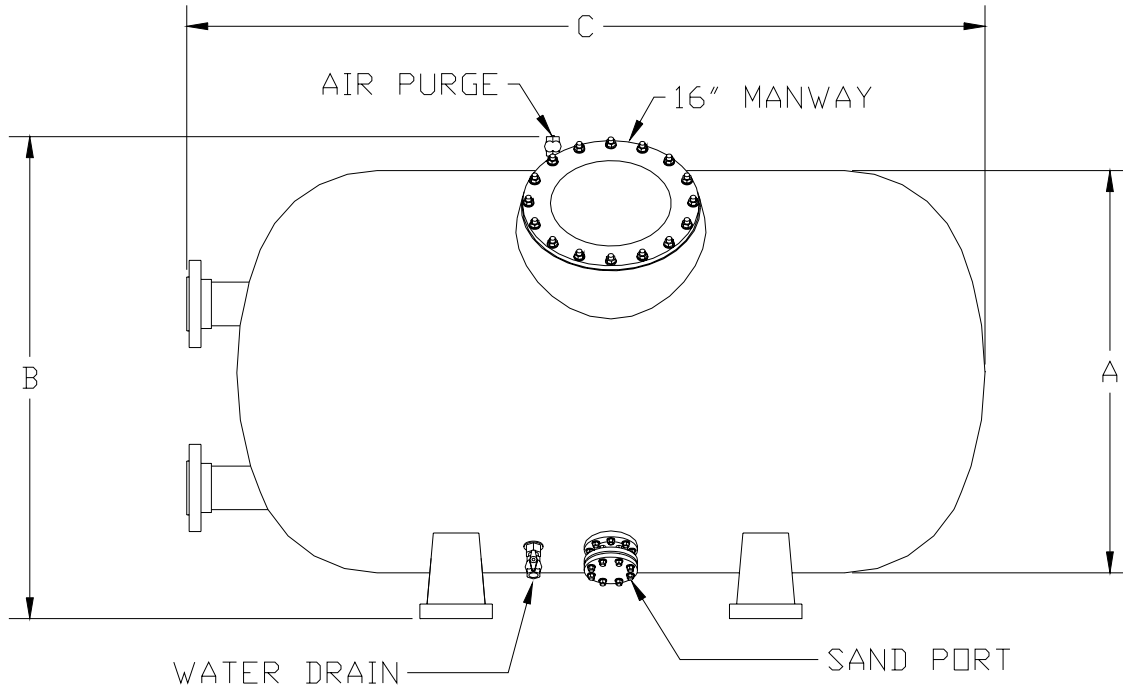
To insure the correct pump size, the required flow must be obtained by taking the system head into consideration. The system head is the added difficulty to move water through the system presented by using elbows, piping, tees, changes in elevation, etc. Normally, **34 ft of water (34' of head)** is sufficient but will depend upon each individual system.

It is advisable to use the same number of pumps as filters, each pump producing the required flow for one filter. It is also recommended that the discharge from each pump is brought together in a single manifold to the filters. This will allow for greater flow rates for the backwash cycle.

For each suction side, it is also recommended that the supply to each pump come from either a general suction manifold or balance tank. The suctions should be taken from both the surface and from the bottom of the pool.

2 Characteristics and Dimensions

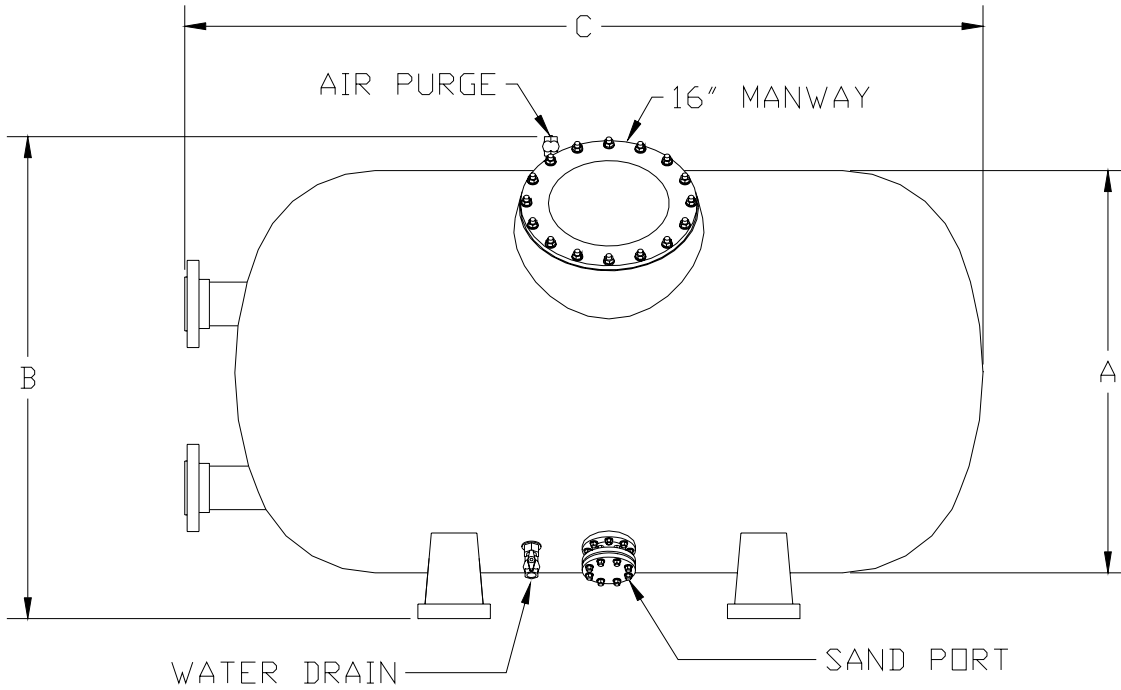
2.1 Dimensions and media requirements



| Model Number | Filtration Area (Sq. Ft.) | Connection | (A) | (B) | (C) | Gravel (lb) | Media (lb) |
|--------------|---------------------------|---------------------------------|-----|-----|------|-------------|------------|
| 11317 | 15.7 | 4" | 42" | 52" | 68" | 650 | 1700 |
| 11319 | 21 | 4" | 42" | 52" | 90" | 800 | 2100 |
| 11324/11325 | 26 | 4 ⁵ / ₆ " | 42" | 52" | 105" | 1100 | 3200 |
| 11330 | 30 | 6" | 42" | 52" | 120" | 1550 | 4000 |
| 20895 | 34 | 6" | 42" | 52" | 135" | 1700 | 5000 |
| 20896 | 24 | 6" | 48" | 60" | 90" | 950 | 2450 |
| 20897 | 29 | 6" | 48" | 60" | 105" | 1250 | 3150 |
| 20898 | 34 | 6" | 48" | 60" | 120" | 1850 | 4600 |
| 20899 | 38 | 6" | 48" | 60" | 135" | 2050 | 5150 |
| 20900 | 32 | 6" | 63" | 78" | 92" | 1350 | 6300 |
| 20901 | 37 | 6" | 63" | 78" | 105" | 1550 | 7100 |
| 20902 | 46 | 8" | 63" | 78" | 120" | 1850 | 8550 |
| 20903 | 51 | 8" | 63" | 78" | 138" | 2000 | 10450 |
| 07129 | 53 | 8" | 79" | 90" | 115" | 3000 | 10600 |
| 05110 | 75 | 8" | 79" | 90" | 160" | 3450 | 20000 |

2 Characteristics and Dimensions

2.1(cont.) Dimensions and media requirements



| Model Number | Filtration Area (Sq. Ft.) | Connection | (A) | (B) | (C) | Gravel (lb) | Media (lb) |
|--------------|---------------------------|------------|-----|-----|------|-------------|------------|
| 34634 | 38 | 6" | 42" | 52" | 148" | 1900 | 5650 |
| 34635 | 42 | 6" | 42" | 52" | 159" | 2050 | 6000 |
| 34636 | 45 | 6" | 42" | 52" | 172" | 2250 | 6550 |
| 34637 | 48 | 6" | 42" | 52" | 180" | 2350 | 6850 |
| 34638 | 44 | 6" | 48" | 60" | 152" | 2350 | 5900 |
| 34639 | 48 | 6" | 48" | 60" | 163" | 2550 | 6350 |
| 34640 | 52 | 6" | 48" | 60" | 176" | 2750 | 6900 |
| 34641 | 56 | 8" | 48" | 60" | 188" | 2950 | 7350 |
| 34642 | 57 | 8" | 63" | 78" | 150" | 2250 | 11750 |
| 34643 | 63 | 8" | 63" | 78" | 164" | 2500 | 12950 |
| 34644 | 68 | 8" | 63" | 78" | 174" | 2650 | 13750 |
| 34645 | 73 | 8" | 63" | 78" | 189" | 2900 | 14950 |

3. Installation

3.1 General Installation notes

BEFORE DOING ANY INSTALLATION IT IS VERY IMPORTANT TO READ THIS ENTIRE SECTION.

Note: Filters are supplied, pallet mounted and plastic shrink wrapped. Due to the weight and size it is recommended that mechanical means be employed to move the filters into position. It is also very important to inspect the filters carefully before unwrapping. Fiberglass filters can be damaged easily during transportation and is the responsibility of the installer to inspect at the time of delivery. Damages to filters from transportation that are not noted on the bill of lading are not covered by the warranty policy and all costs to repair will be the responsibility of the owner.

Never put the media into the filter until it is in its final working position and all prior steps are complete.

The filters should be accessible for periodic maintenance or media change. It is absolutely necessary to leave a minimum access space around the filter(s). The following diagram below illustrates the minimums that are recommended for space, of course it is always better to have more space if possible.

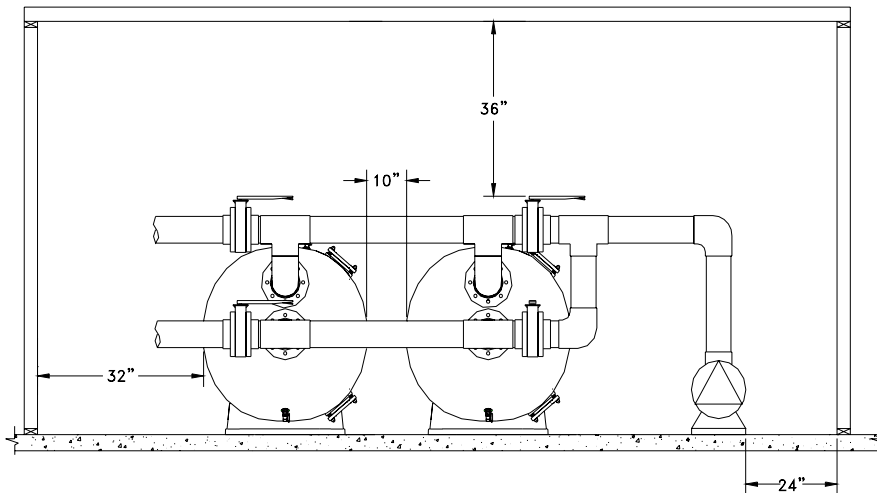


Fig. 3-1

It is recommended that the filters be installed below the level of the pool surface and as near as possible to the balance tank or the pool itself.

The equipment room should be well ventilated and provided with adequate drainage capabilities so that should an emergency occur, resulting in flooding from a pipe, filter or pump, the water can be easily removed to avoid property damage. If drainage cannot be supplied directly from the equipment room, consideration should be given to the installation of an alternate system to remove water from the mechanical room.

3.2 Filter Installation

Move the filter(s) into place by mechanical means if possible. Be careful not to hit the filter against something solid while positioning. Before continuing, be sure that the filter(s) is in the desired location with the connections facing the direction necessary for proper installation. It is also very important to make sure that the filter is sitting on a level hard surface.

It is possible that during transportation, some of the internal components have loosened. It is now necessary to remove the filter lid and enter the filter, being careful not to break any of the connections. By hand, check the tightness of all the laterals in the bottom of the filter making sure they are firmly tightened. Also, while in the filter, check for any cracks or breaks in the body of the filter or the PVC internals that might have occurred during transportation using a flashlight.

Inside the components box that is included with the filter there are two ¾" ball valves and gaskets for them. Install these valves with the gaskets onto the filter. One is for the top air purge nozzle located between the port connections. The second is located below the manhole and above the base of the filter.

3.3 Valve manifold and supports installation

There are many different styles of manifolds that are available: 4 valve, 5 valve, single filter, dual filter, triple filter, and automatic for each style. If the manifold is purchased with the filter, it will come with a specific set of installation instructions inside the box. These instructions will cover all necessary steps to installing the manifold.

3.4 Testing of filter

Before adding any sand to the filter, **it is very important to test the system with water only!!!** All filters are tested with high pressure before leaving the factory. It is possible that during transportation, the filter was damaged. It can be difficult to see some types of damages that may have occurred. It is important to test the system without sand first to check for leaks. Fill the system with water and then replace the lid and gasket. Run system as normal and check for leaks. **If there is a problem with the test, contact customer service immediately.** If sand is added before the test and there is a problem with the filter, the sand will need to be evacuated for inspection. The manufacturer will **not** pay for the removal and replacement of the sand for warranty or repair work, nor the labor to evacuate and replace the sand for repair work done due to transportation. This is also a good chance to check all of the plumbing for the system. **Do not drain the water from the filter after the testing sequence.**

3.5 Installation of the media

After the testing has been finished and the system is 100% operational, we need to add the filtration media required. Remove the lid and gasket from the filter as before. The filter should be full of water at this time. If the filter is not full of water, the filter needs to be filled at least to the diffusers before adding the media. Add the required amount of gravel to the filter. Ensure that the gravel bed is level before adding the silica sand, some raking with a long object may be necessary. Now, add the required amount of #20 silica sand to the filter and replace the lid and gasket to the top of the filter. Be sure that the manhole cover is free of sand. If this is not free of sand, the gasket will not seat properly and could cause the filter to leak at the lid. Put the filter into backwash mode and run for about 5 to 6 minutes. This will level the sand inside the filter and will also remove the dust from the sand directly to waste. Put the valves into filter position and the system is ready for operation.

4 Normal Operation

4.1 Filtration

With the pump off, arrange the valves for filtration mode. Normally, while a filter is running, the inlet pressure is 12 to 15 psi and the outlet pressure is 6 to 9 psi. These are normal pressures when the filter is clean. As the filter media cleans the water, it traps particles of debris from the water inside the filter. These particles will make it more difficult for water to pass through, resulting in less water flow and a higher filter pressure. When this pressure difference is between 12 and 15 psi, it is time to backwash the system. Simply subtract the outlet pressure from the inlet pressure to determine your pressure differential.

Example:

Inlet pressure: 21 psi
Outlet pressure: 7 psi
Pressure differential: 14 psi

Conclusion: The filter requires a backwash cycle.

4.2 Backwash

In filter beds, there are thousands of channels for water to pass through, trapping particulate matter. As time passes these channels become blocked and it becomes necessary to clean the filter bed to restore the filter to its optimum working condition by discharging the trapped particles to drain. The velocity of the water for the backwash cycle should be the same as for the filtration mode. This flow should never exceed 20 GPM per sq. ft. of surface area to prevent discharging sand to drain and possibly damaging the filter.

The backwash cycle should be run for 3 to 5 minutes. It is advisable to fit a sight glass in the drain line close to the filter so that when a backwash is being carried out, one can see the water clearing and stop the backwash when the water is clean to avoid an unnecessary waste of water.

5.0 Changing of The Media

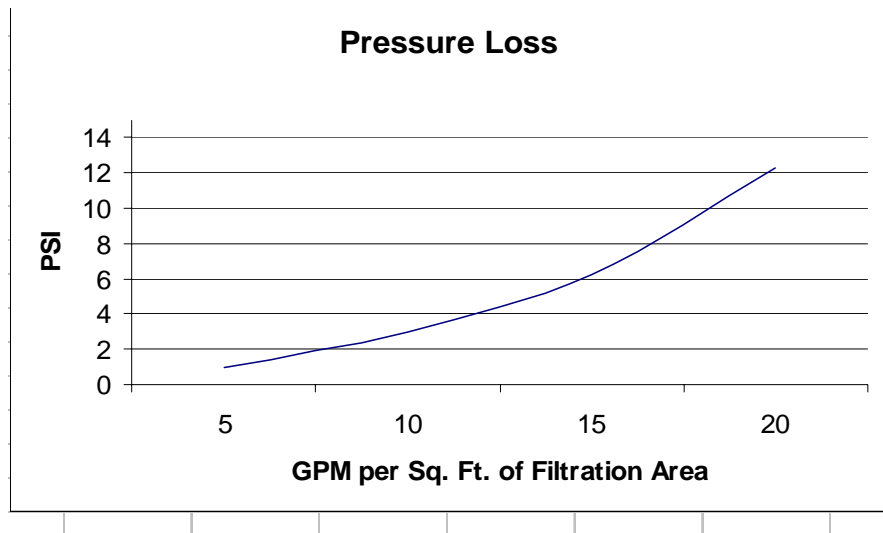
The procedure for changing the filter media is as follows:

1. Turn off pumps.
2. Remove lid and gasket from filter.
3. Fill filter about $\frac{3}{4}$ full of water.
4. Remove sand drain cap at bottom of filter (being careful not to get wet).
5. Make sure that the sand does not block the sand passage.
6. Using a hose from above, spray the sand as the filter drains to keep a steady flow.
7. It may be necessary to enter the filter to remove the final $\frac{1}{4}$ of the sand.
8. Replace sand drain lid, making sure the "o" ring is in good condition.
9. Add the filtration media as described in section 3.5 of this manual.

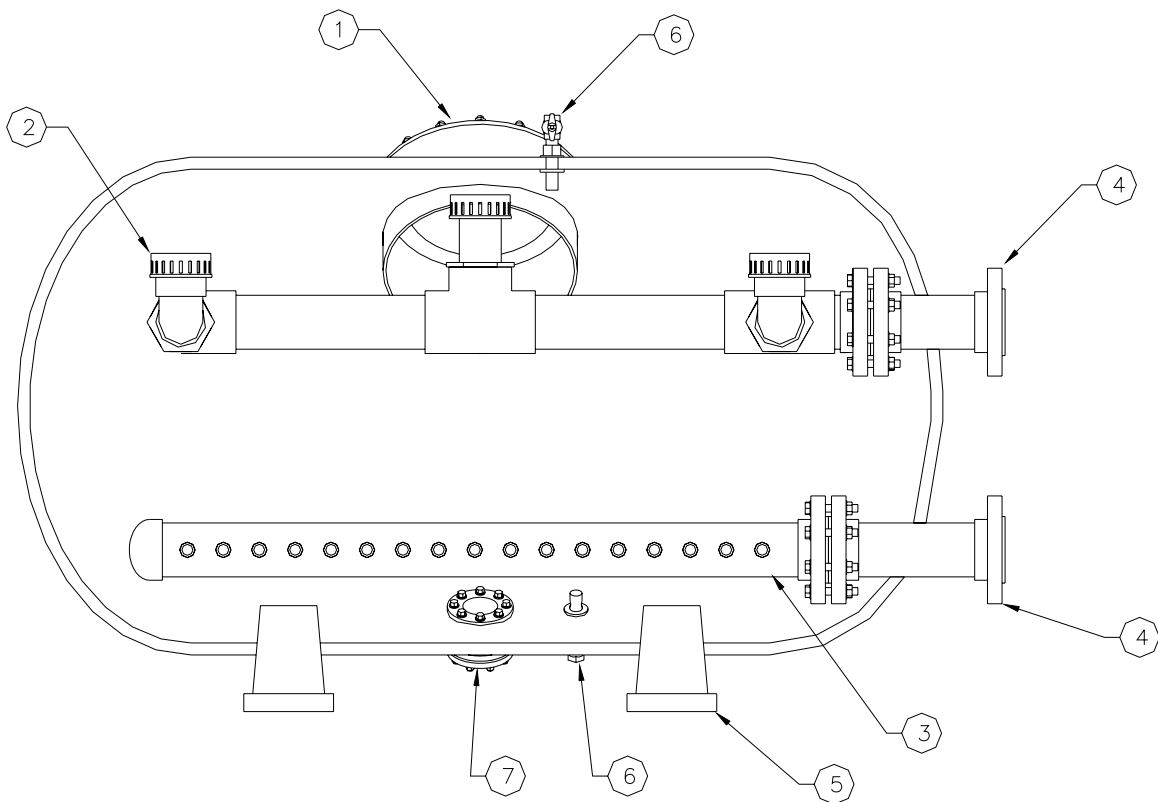
6.0 Other recommendations of Interest

- ◆ Fiberglass filters are virtually corrosion resistant and need very little maintenance. It is advisable to clean the surface of the filter every 2 years, or whenever dirty, with a mild soap and water to maintain the looks of the filter.
- ◆ Every filter is equipped with a manual air vent fitted in the top of the filter. In addition, each filter has a water drain located in the bottom of the filter, which can be connected directly to a drain.
- ◆ When installing the valve manifold system it is advisable to use adequate pipe supports to support the weight of the manifold and the water flowing through it. Supports can be purchased or made on the job site.
- ◆ All filters can be completely automated.
- ◆ If the installation is to be shut down for long periods of time, it is advisable to drain the water during the period of non-use.
- ◆ Where freezing can occur, be certain to drain the filter before the opportunity to freeze can occur. Freezing of the water in a full filter will result in permanent damage to the fiberglass shell.
- ◆ Custom variations of these filters are available, please contact customer service with any questions.

7.0 Graph of Filter Head Loss



FILTER PARTS BREAKDOWN



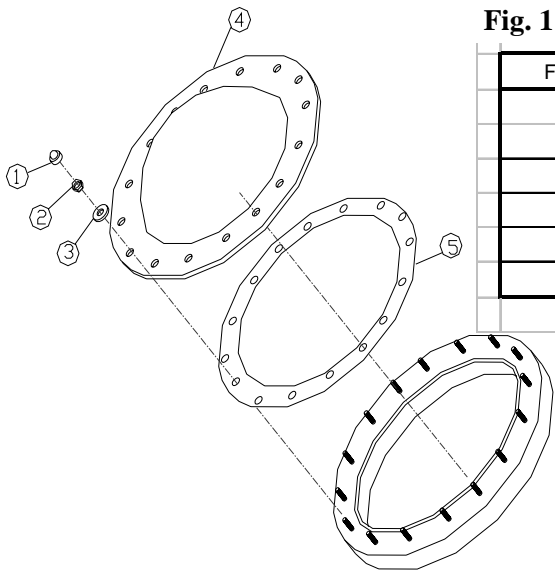


Fig. 1

| FIG. | PART # | DESCRIPTION |
|------|------------|----------------------|
| 1 | 0545-0212 | NUT CAP |
| 2 | 7012112000 | M12 STAINLESS NUT |
| 3 | 7013812000 | M12 STAINLESS WASHER |
| 4 | 00473-0103 | FIBERGLASS LID |
| 5 | 7234140120 | LID GASKET |

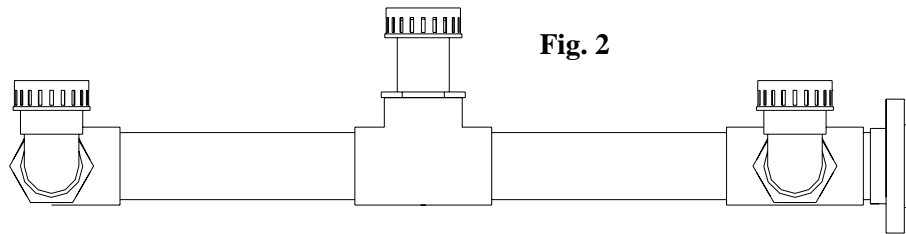


Fig. 2

| MODEL # | PART # | DESCRIPTION | MODEL # | PART # | DESCRIPTION |
|---------|------------|-------------------|---------|------------|-------------------|
| 11319 | 11319-0100 | DIFFUSER ASSEMBLY | 11317 | 11317-0100 | DIFFUSER ASSEMBLY |
| 11325 | 11325-0100 | DIFFUSER ASSEMBLY | 11324 | 11324-0100 | DIFFUSER ASSEMBLY |
| 11330 | 11330-0100 | DIFFUSER ASSEMBLY | 34634 | 34634-0100 | DIFFUSER ASSEMBLY |
| 20895 | 20895-0100 | DIFFUSER ASSEMBLY | 34635 | 34635-0100 | DIFFUSER ASSEMBLY |
| 20896 | 20896-0100 | DIFFUSER ASSEMBLY | 34636 | 34636-0100 | DIFFUSER ASSEMBLY |
| 20897 | 20897-0100 | DIFFUSER ASSEMBLY | 34637 | 34637-0100 | DIFFUSER ASSEMBLY |
| 20898 | 20898-0100 | DIFFUSER ASSEMBLY | 34638 | 34638-0100 | DIFFUSER ASSEMBLY |
| 20899 | 20899-0100 | DIFFUSER ASSEMBLY | 34639 | 34639-0100 | DIFFUSER ASSEMBLY |
| 20900 | 20900-0100 | DIFFUSER ASSEMBLY | 34640 | 34640-0100 | DIFFUSER ASSEMBLY |
| 20901 | 20901-0100 | DIFFUSER ASSEMBLY | 34641 | 34641-0100 | DIFFUSER ASSEMBLY |
| 20902 | 20902-0100 | DIFFUSER ASSEMBLY | 34642 | 34642-0100 | DIFFUSER ASSEMBLY |
| 20903 | 20903-0100 | DIFFUSER ASSEMBLY | 34643 | 34643-0100 | DIFFUSER ASSEMBLY |
| 07129 | 07129-0100 | DIFFUSER ASSEMBLY | 34644 | 34644-0100 | DIFFUSER ASSEMBLY |
| 05110 | 05110-0100 | DIFFUSER ASSEMBLY | 34645 | 34645-0100 | DIFFUSER ASSEMBLY |

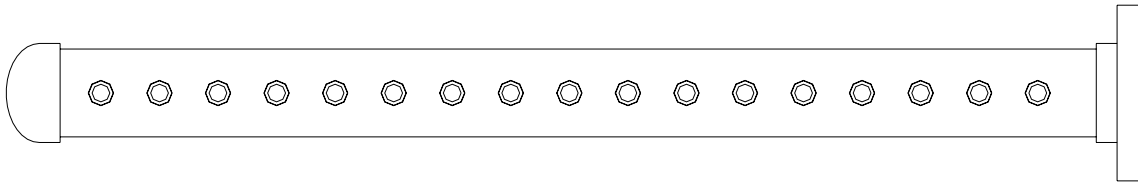


Fig. 3

| MODEL # | PART # | DESCRIPTION | MODEL # | PART # | DESCRIPTION |
|---------|------------|--------------------|---------|------------|--------------------|
| 11319 | 11319-0200 | COLLECTOR ASSEMBLY | 11317 | 11317-0200 | COLLECTOR ASSEMBLY |
| 11325 | 11325-0200 | COLLECTOR ASSEMBLY | 11324 | 11324-0200 | COLLECTOR ASSEMBLY |
| 11330 | 11330-0200 | COLLECTOR ASSEMBLY | 34634 | 34634-0200 | COLLECTOR ASSEMBLY |
| 20895 | 20895-0200 | COLLECTOR ASSEMBLY | 34635 | 34635-0200 | COLLECTOR ASSEMBLY |
| 20896 | 20896-0200 | COLLECTOR ASSEMBLY | 34636 | 34636-0200 | COLLECTOR ASSEMBLY |
| 20897 | 20897-0200 | COLLECTOR ASSEMBLY | 34637 | 34637-0200 | COLLECTOR ASSEMBLY |
| 20898 | 20898-0200 | COLLECTOR ASSEMBLY | 34638 | 34638-0200 | COLLECTOR ASSEMBLY |
| 20899 | 20899-0200 | COLLECTOR ASSEMBLY | 34639 | 34639-0200 | COLLECTOR ASSEMBLY |
| 20900 | 20900-0200 | COLLECTOR ASSEMBLY | 34640 | 34640-0200 | COLLECTOR ASSEMBLY |
| 20901 | 20901-0200 | COLLECTOR ASSEMBLY | 34641 | 34641-0200 | COLLECTOR ASSEMBLY |
| 20902 | 20902-0200 | COLLECTOR ASSEMBLY | 34642 | 34642-0200 | COLLECTOR ASSEMBLY |
| 20903 | 20903-0200 | COLLECTOR ASSEMBLY | 34643 | 34643-0200 | COLLECTOR ASSEMBLY |
| 07129 | 07129-0200 | COLLECTOR ASSEMBLY | 34644 | 34644-0200 | COLLECTOR ASSEMBLY |
| 05110 | 05110-0200 | COLLECTOR ASSEMBLY | 34645 | 34645-0200 | COLLECTOR ASSEMBLY |

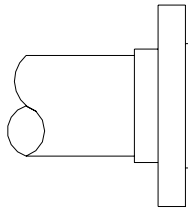


Fig. 4

| MODEL # | PART # | DESCRIPTION |
|---------|--------|-------------------|
| 11319 | 204080 | FILTER CONNECTION |
| 11325 | 206080 | FILTER CONNECTION |
| 11330 | 206080 | FILTER CONNECTION |
| 20895 | 206080 | FILTER CONNECTION |
| 20896 | 206080 | FILTER CONNECTION |
| 20897 | 206080 | FILTER CONNECTION |
| 20898 | 206080 | FILTER CONNECTION |
| 20899 | 206080 | FILTER CONNECTION |
| 20900 | 206080 | FILTER CONNECTION |
| 20901 | 206080 | FILTER CONNECTION |
| 20902 | 208080 | FILTER CONNECTION |
| 20903 | 208080 | FILTER CONNECTION |
| 07129 | 208080 | FILTER CONNECTION |
| 05110 | 208080 | FILTER CONNECTION |

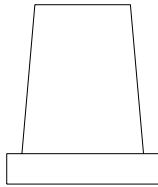


Fig. 5

| MODEL # | PART # | DESCRIPTION |
|---------|------------|-------------|
| 11319 | 07126-0101 | FILTER BASE |
| 11325 | 07126-0101 | FILTER BASE |
| 11330 | 07126-0101 | FILTER BASE |
| 20895 | 07126-0101 | FILTER BASE |
| 20896 | 08126-0101 | FILTER BASE |
| 20897 | 08126-0101 | FILTER BASE |
| 20898 | 08126-0101 | FILTER BASE |
| 20899 | 08126-0101 | FILTER BASE |
| 20900 | 09126-0101 | FILTER BASE |
| 20901 | 09126-0101 | FILTER BASE |
| 20902 | 09126-0101 | FILTER BASE |
| 20903 | 09126-0101 | FILTER BASE |
| 07129 | 10125-0101 | FILTER BASE |
| 05110 | 10125-0101 | FILTER BASE |

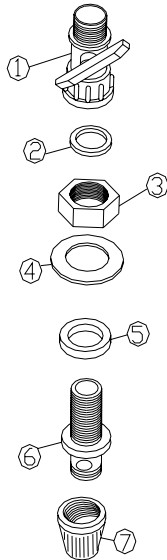


Fig. 6

| FIG. | PART # | DESCRIPTION |
|------|------------|-------------------------------|
| 1 | 02579 | 3/4" BALL VALVE |
| 2 | 04659-0603 | FLAT GASKET FOR BALL VALVE |
| 3 | 1414-0601 | 3/4" PURGE NUT |
| 4 | 00545-0204 | PLASTIC WASHER |
| 5 | 074065012 | FLAT GASKET FOR PURGE FITTING |
| 6 | 00473-0409 | AIR PURGE FITTING |
| 7 | 00473-0407 | GREY SLOTTED CAP |

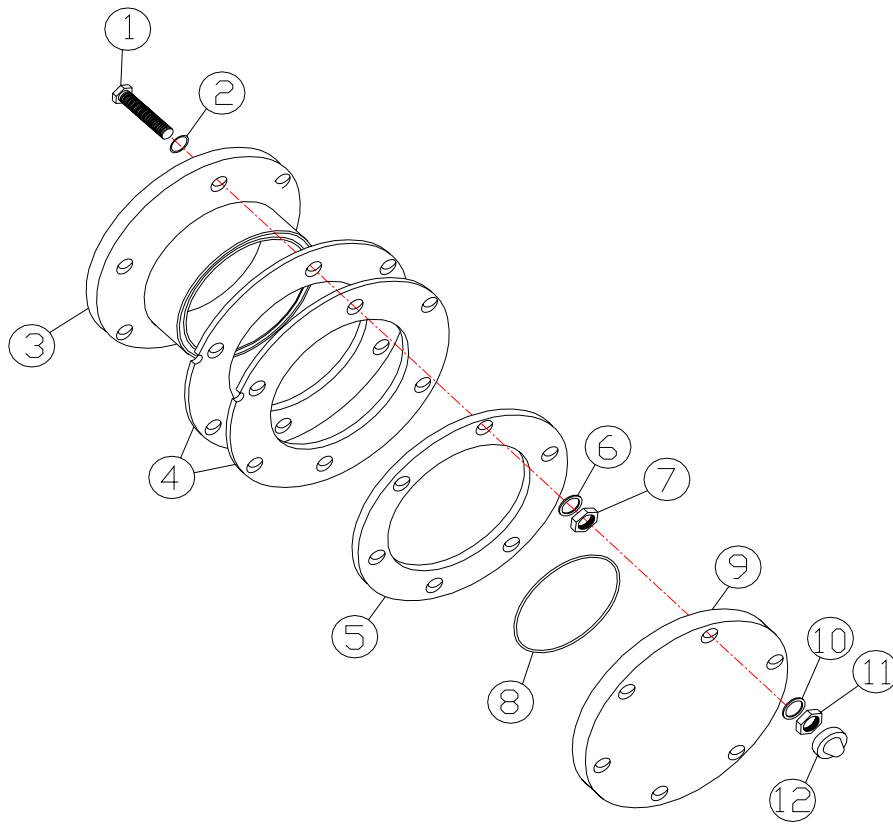


Fig. 7

| FIG. | PART # | DESCRIPTION |
|------|--------------|------------------------------|
| 1 | 7010110100 | M10 X 100 STAINLESS BOLT |
| 2 | 7210089019 | BOLT "O" RING - M10 |
| 3 | 00687-0302 | MEDIA DRAIN BULKHEAD FITTING |
| 4 | 00546-0202 | WHITE BULKHEAD GASKET |
| 5 | 00546-0201 | EXTERIOR BULKHEAD FLANGE |
| 6 | 7011910000 | M10 STAINLESS WASHER |
| 7 | 7012110000 | M10 STAINLESS NUT |
| 8 | 7730950050 | MEDIA DRAIN COVER "O" RING |
| 9 | 00687 R 0301 | MEDIA DRAIN COVER |
| 10 | 7013810000 | M10 STAINLESS WASHER (LARGE) |
| 11 | 7012110000 | M10 STAINLESS NUT |
| 12 | 00545-0307 | PLASTIC NUT CAP |