

**GENERAL NOTES:**

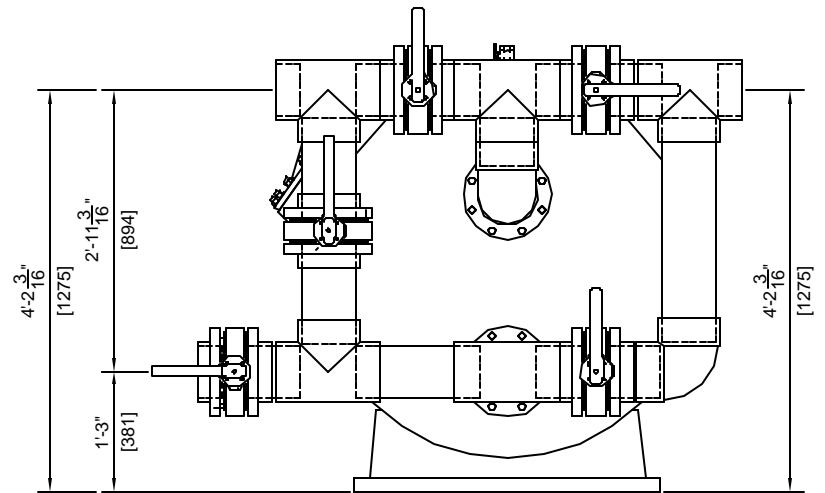
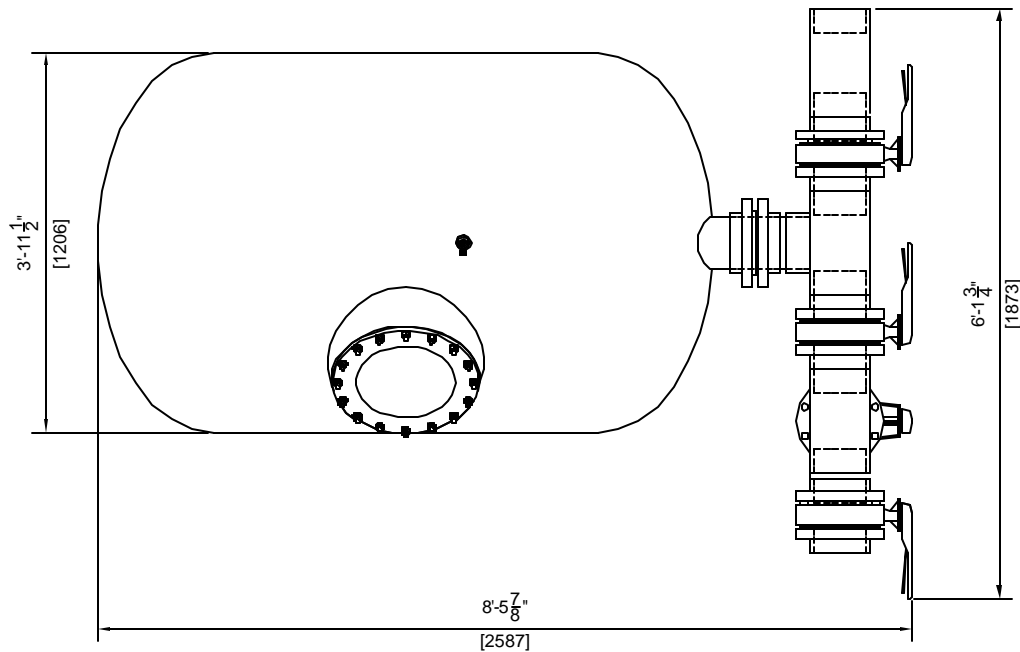
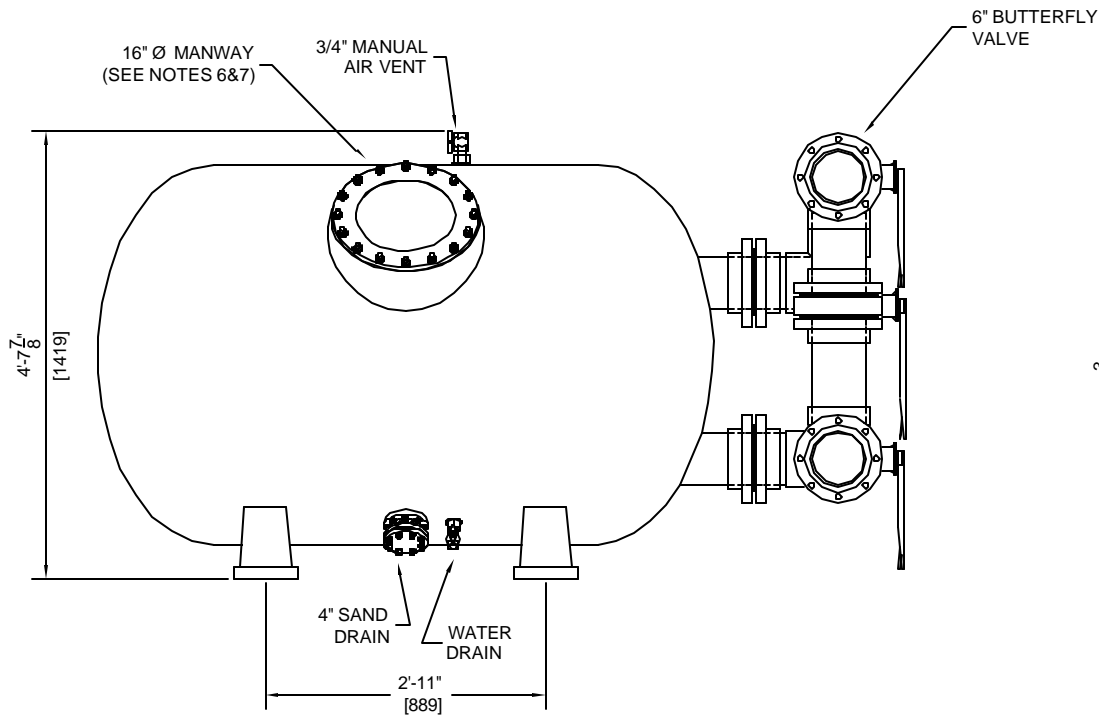
1. MEDIA NOT INCLUDED WITH FILTER
2. CONCRETE SLAB TO BE DESIGNED BY OTHERS
3. FILTER MADE FROM HIGH STRENGTH FIBERGLASS AND RESINS
4. FILTERS HAVE UV STABILIZED CLEAR COAT
5. ALL INTERNAL COMPONENTS ARE CONSTRUCTED OF SCHEDULE 80 PVC.
6. MANHOLE CAN BE LOCATED ON EITHER SIDE OF FILTER. PLEASE SPECIFY AT TIME OF ORDER.
7. SAND DRAIN AND WATER DRAIN ARE PLACED ON THE SAME SIDE AS THE MANHOLE.

FILTER DATA	
TOTAL SURFACE AREA:	24 SQ. FT.
MAX WORKING PRESSURE:	50 PSI.
MAX FLOW RATE:	20 GPM / SQ. FT.
MEDIA REQUIREMENTS	
SAND:	2,200 LBS
GRAVEL:	1,300 LBS
WEIGHTS	
FILTER SHIPPING WEIGHT	595 LBS
FILTER OPERATING WEIGHT:	7,315 LBS



**HORIZONTAL SAND FILTER (20896)  
48"x75" WITH 6" 4 VALVE MANIFOLD**

DRAWN BY: <b>MM</b>	DWG. NO: <b>20896-2</b>	REV:
SCALE: 1/2" = 1'	DATE: 10/1/02	CHECKED:



**GENERAL NOTES:**

1. MEDIA NOT INCLUDED WITH FILTER
2. CONCRETE SLAB TO BE DESIGNED BY OTHERS
3. FILTER MADE FROM HIGH STRENGTH FIBERGLASS AND RESINS
4. FILTERS HAVE UV STABILIZED CLEAR COAT
5. ALL INTERNAL COMPONENTS ARE CONSTRUCTED OF SCHEDULE 80 PVC.
6. MANHOLE CAN BE LOCATED ON EITHER SIDE OF FILTER. PLEASE SPECIFY AT TIME OF ORDER.
7. SAND DRAIN AND WATER DRAIN ARE PLACED ON THE SAME SIDE AS THE MANHOLE.

**FILTER DATA**

TOTAL SURFACE AREA:	24 SQ. FT.
MAX WORKING PRESSURE:	50 PSI.
MAX FLOW RATE:	20 GPM / SQ. FT.

**MEDIA REQUIREMENTS**

SAND:	2,200 LBS
GRAVEL:	1,300 LBS

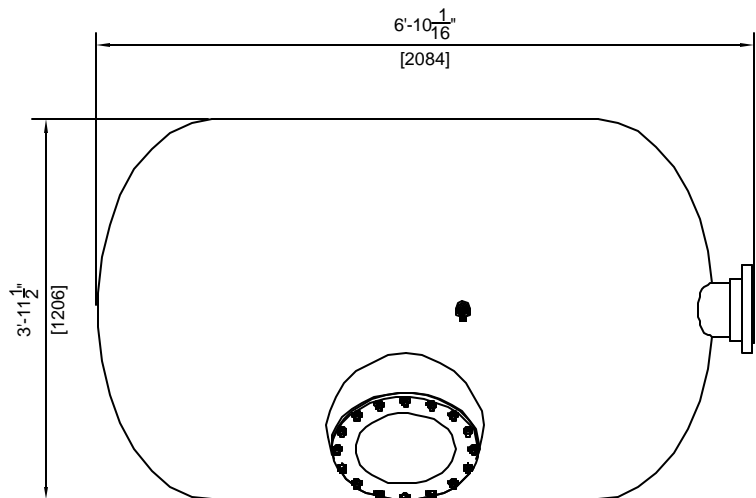
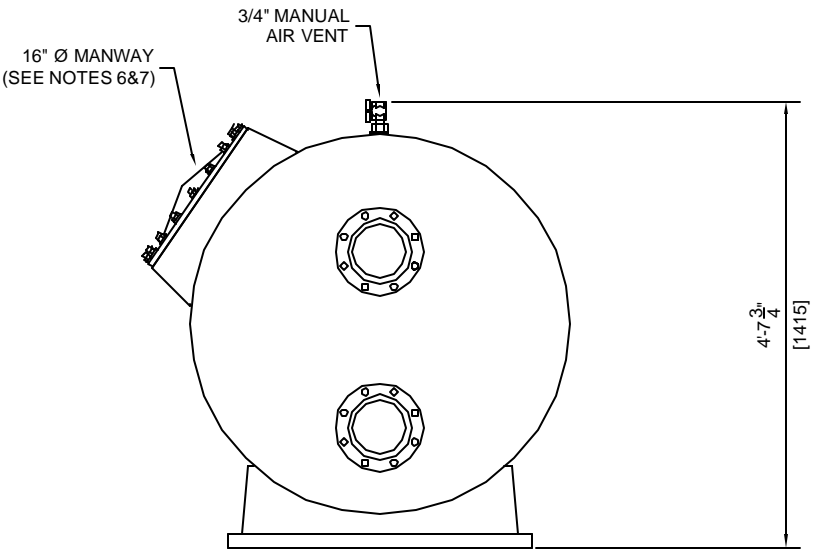
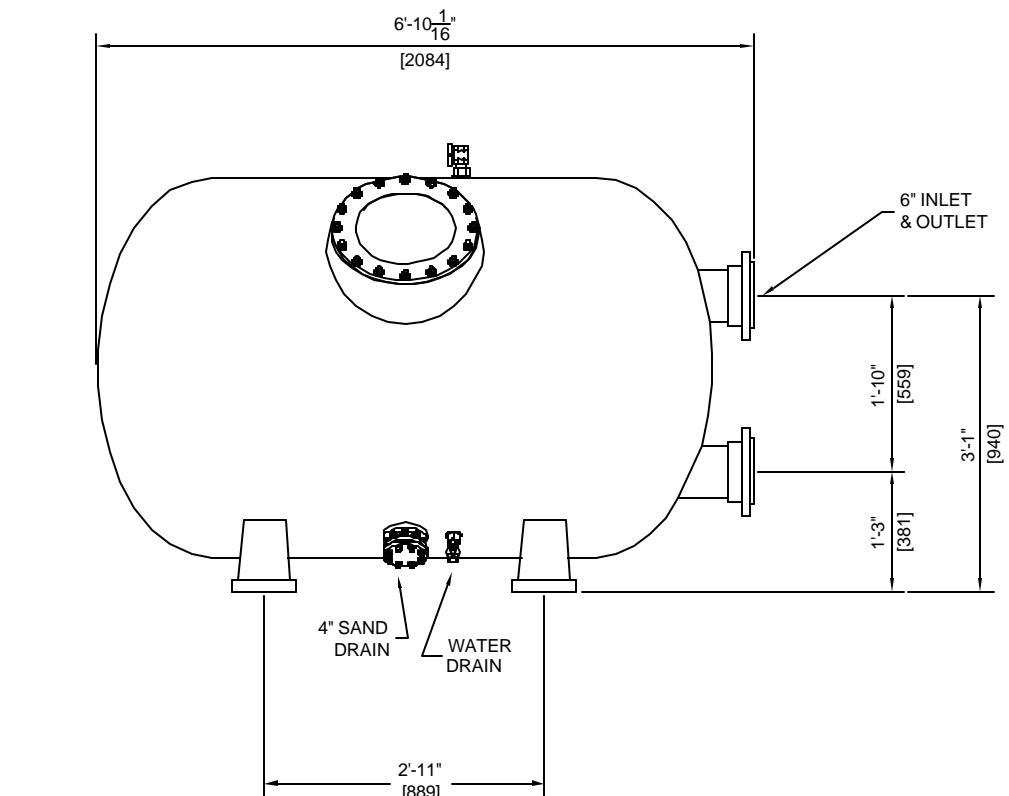
**WEIGHTS**

FILTER SHIPPING WEIGHT	595 LBS
FILTER OPERATING WEIGHT:	7,105 LBS



**HORIZONTAL SAND FILTER (20896)  
48"x75" WITH 6" 5 VALVE MANIFOLD**

DRAWN BY: MM	DWG. NO: 20896-3	REV:
SCALE: 1/2" = 1'	DATE: 10/1/02	CHECKED:



FILTER DATA	
TOTAL SURFACE AREA:	24 SQ. FT.
MAX WORKING PRESSURE:	50 PSI.
MAX FLOW RATE:	20 GPM / SQ. FT.
MEDIA REQUIREMENTS	
SAND:	2,200 LBS
GRAVEL:	1,300 LBS
WEIGHTS	
FILTER SHIPPING WEIGHT	595 LBS
FILTER OPERATING WEIGHT:	7,064 LBS

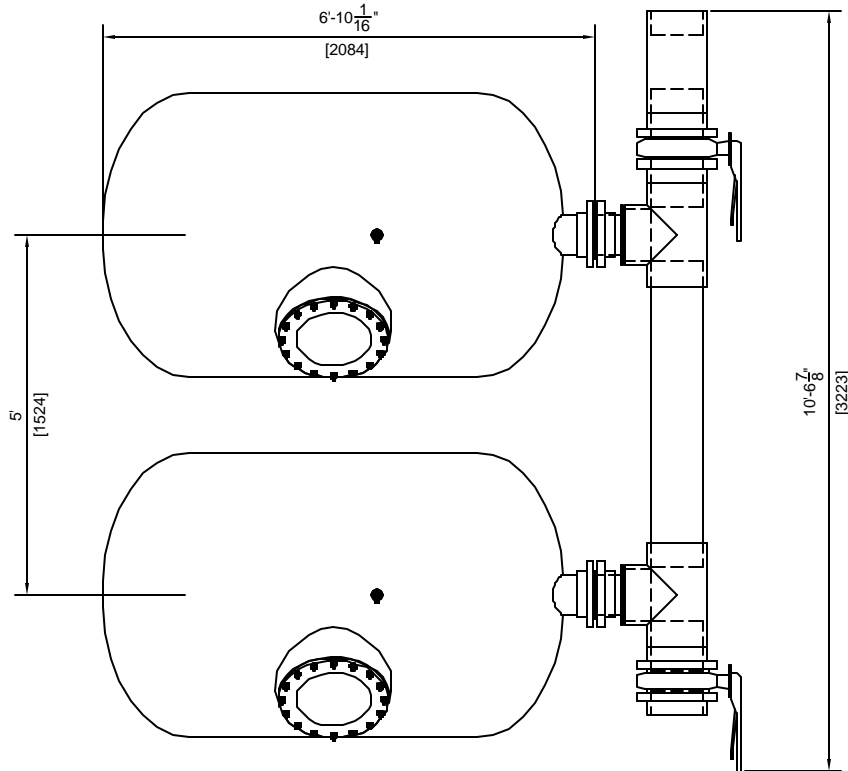
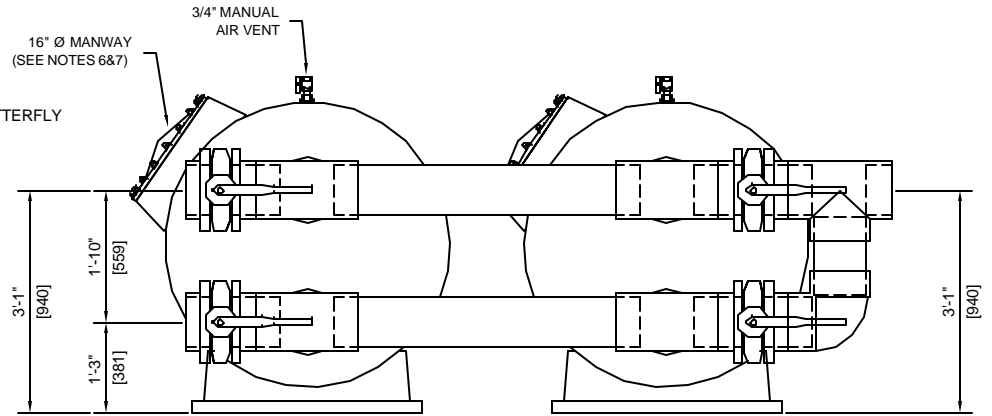
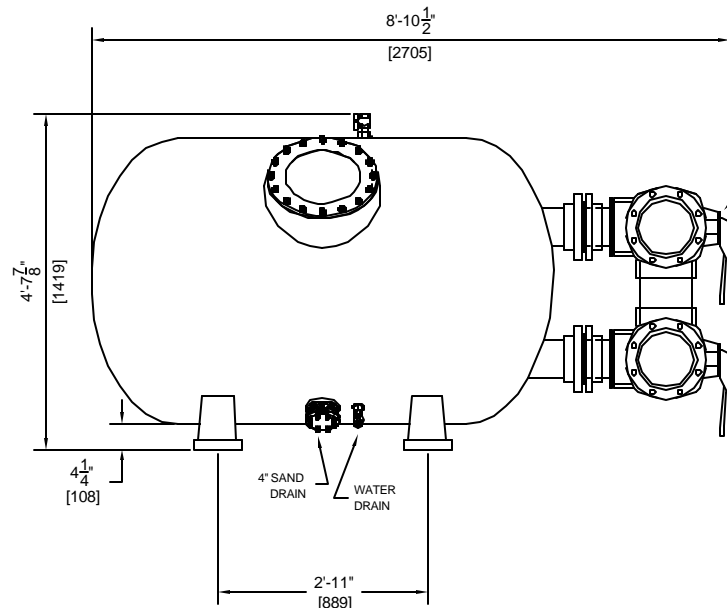
- GENERAL NOTES:**
- MEDIA NOT INCLUDED WITH FILTER
  - CONCRETE SLAB TO BE DESIGNED BY OTHERS
  - FILTER MADE FROM HIGH STRENGTH FIBERGLASS AND RESINS
  - FILTERS HAVE UV STABILIZED CLEAR COAT
  - ALL INTERNAL COMPONENTS ARE CONSTRUCTED OF SCHEDULE 80 PVC.
  - MANHOLE CAN BE LOCATED ON EITHER SIDE OF FILTER. PLEASE SPECIFY AT TIME OF ORDER.
  - SAND DRAIN AND WATER DRAIN ARE PLACED ON THE SAME SIDE AS THE MANHOLE.

**ASTRAL POOL**

USA

**HORIZONTAL SAND FILTER (20896)**  
48"x75" WITH 6" CONNECTIONS

DRAWN BY: <b>MM</b>	DWG. NO: <b>20896</b>	REV:
SCALE: 1/2" = 1'	DATE: 10/1/02	CHECKED:



**GENERAL NOTES:**

1. MEDIA NOT INCLUDED WITH FILTER
2. CONCRETE SLAB TO BE DESIGNED BY OTHERS
3. FILTER MADE FROM HIGH STRENGTH FIBERGLASS AND RESINS
4. FILTERS HAVE UV STABILIZED CLEAR COAT
5. ALL INTERNAL COMPONENTS ARE CONSTRUCTED OF SCHEDULE 80 PVC.
6. MANHOLE CAN BE LOCATED ON EITHER SIDE OF FILTER. PLEASE SPECIFY AT TIME OF ORDER.
7. SAND DRAIN AND WATER DRAIN ARE PLACED ON THE SAME SIDE AS THE MANHOLE.

**FILTER DATA**

TOTAL SURFACE AREA:	48 SQ. FT.
MAX WORKING PRESSURE:	50 PSI.
MAX FLOW RATE:	20 GPM / SQ. FT.

**MEDIA REQUIREMENTS**

SAND:	2,200 LBS EA.
GRAVEL:	1,300 LBS EA.

**WEIGHTS**

<b>FILTER SHIPPING WEIGHT:</b>	<b>595 LBS</b>
<b>FILTER OPERATING WEIGHT:</b>	<b>15,200 LBS</b>

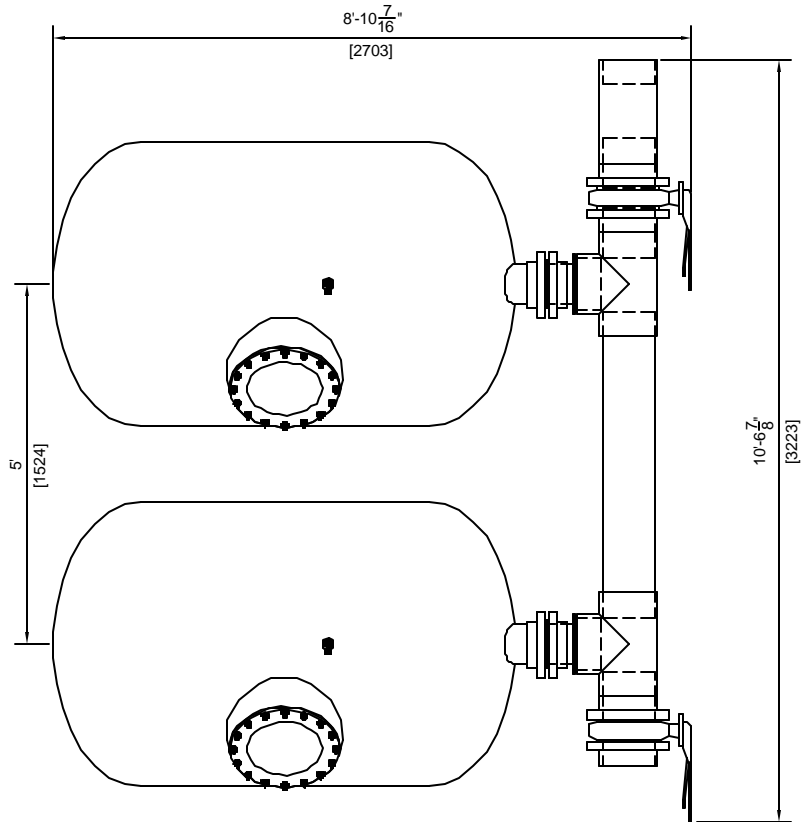
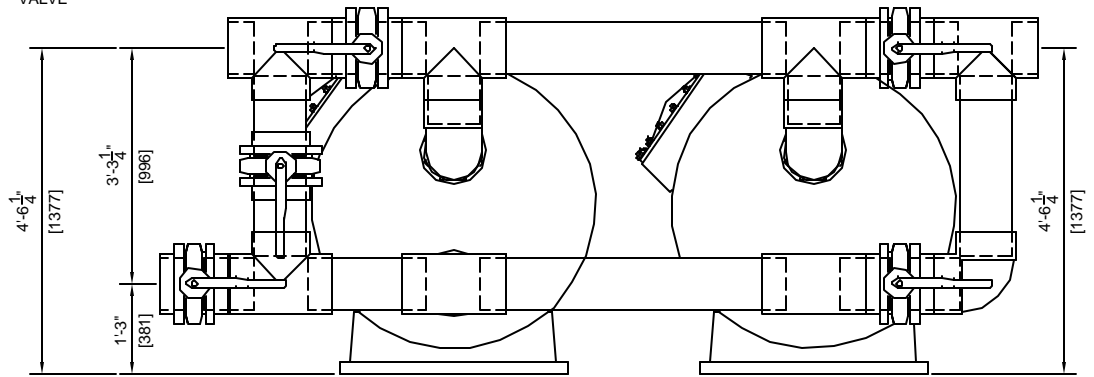
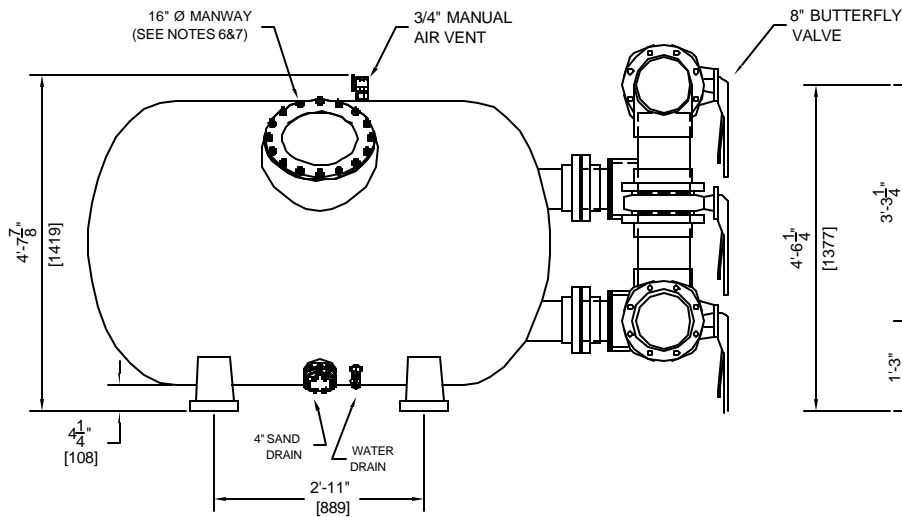
**ASTRAL POOL**



USA

DUAL HORIZONTAL SAND FILTER (20896)  
48"X75" WITH 8" 4 VALVE MANIFOLD

DRAWN BY:	MM	DWG. NO:	20896-5	REV:
SCALE: 3/8" = 1'	DATE:	10/3/02	CHECKED:	



**GENERAL NOTES:**

1. MEDIA NOT INCLUDED WITH FILTER
2. CONCRETE SLAB TO BE DESIGNED BY OTHERS
3. FILTER MADE FROM HIGH STRENGTH FIBERGLASS AND RESINS
4. FILTERS HAVE UV STABILIZED CLEAR COAT
5. ALL INTERNAL COMPONENTS ARE CONSTRUCTED OF SCHEDULE 80 PVC.
6. MANHOLE CAN BE LOCATED ON EITHER SIDE OF FILTER. PLEASE SPECIFY AT TIME OF ORDER.
7. SAND DRAIN AND WATER DRAIN ARE PLACED ON THE SAME SIDE AS THE MANHOLE.

**FILTER DATA**

TOTAL SURFACE AREA:	48 SQ. FT.
MAX WORKING PRESSURE:	50 PSI.
MAX FLOW RATE:	20 GPM / SQ. FT.

**MEDIA REQUIREMENTS**

SAND:	2,200 LBS EA.
GRAVEL:	1,300 LBS EA.

**WEIGHTS**

FILTER SHIPPING WEIGHT	595 LBS
FILTER OPERATING WEIGHT:	15,650 LBS

**ASTRAL POOL**

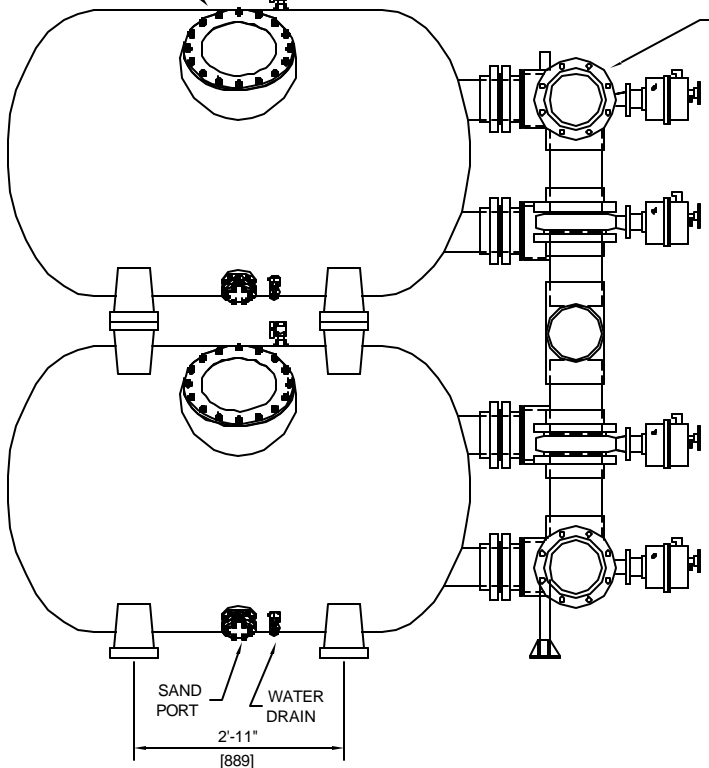


USA

DUAL HORIZONTAL SAND FILTER (20896)  
48"X75" WITH 8" 5 VALVE MANIFOLD

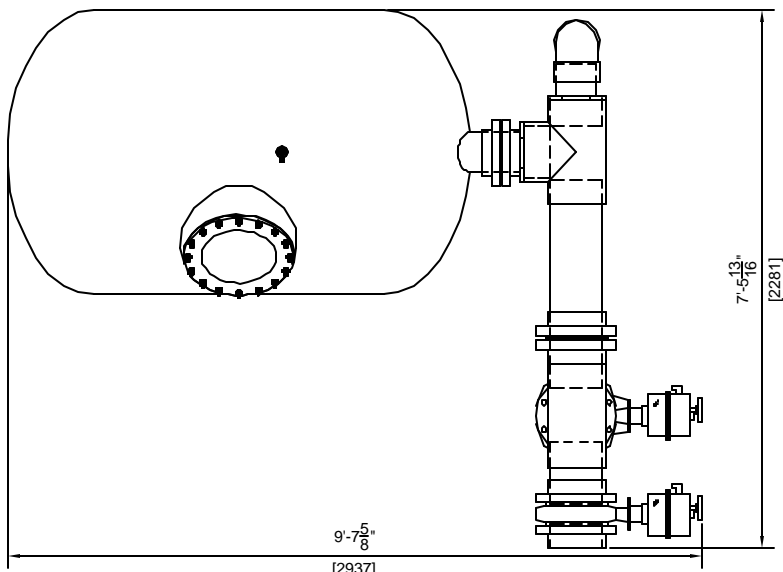
DRAWN BY:	MM	DWG. NO:	20896-6	REV:	
SCALE: 3/8" = 1'		DATE:	9/30/02	CHECKED:	

16" Ø MANWAY  
(SEE NOTES 6&7)



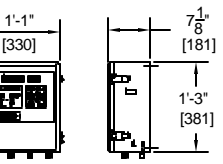
8" ELECTRICALLY  
ACTUATED BUTTERFLY  
VALVE

SAND PORT  
WATER DRAIN  
2'-11"  
[889]



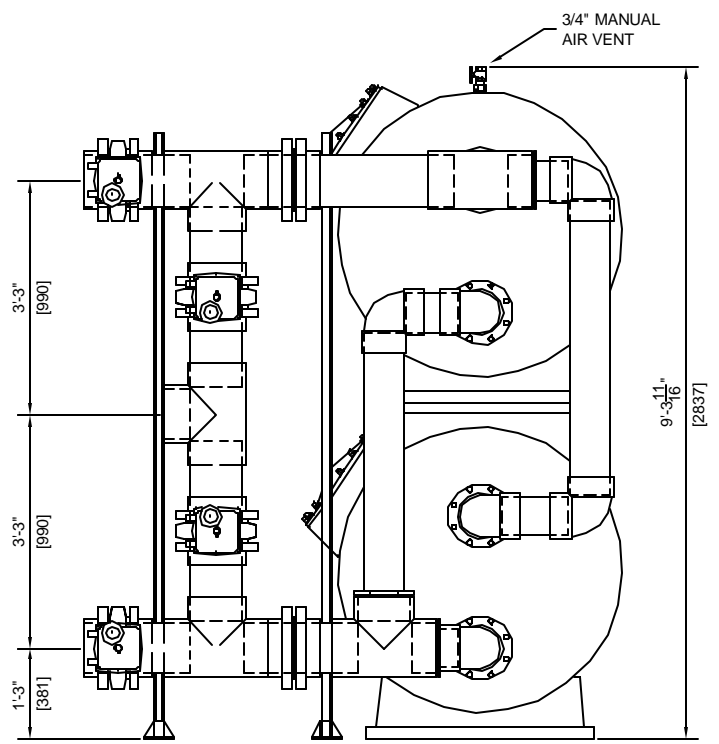
9'-7 5/8"  
[2937]

MANIFOLD SUPPORT  
ORDERED SEPERATELY  
RECOMMEND 2 PER MANIFOLD



**AUTOMATIC  
CONTROL PANEL**

- GENERAL NOTES:**
1. MEDIA NOT INCLUDED WITH FILTER
  2. CONCRETE SLAB TO BE DESIGNED BY OTHERS
  3. FILTER MADE FROM HIGH STRENGTH FIBERGLASS AND RESINS
  4. FILTERS HAVE UV STABILIZED CLEAR COAT
  5. ALL INTERNAL COMPONENTS ARE CONSTRUCTED OF SCHEDULE 80 PVC.
  6. MANHOLE CAN BE LOCATED ON EITHER SIDE OF FILTER. PLEASE SPECIFY AT TIME OF ORDER.
  7. SAND DRAIN AND WATER DRAIN ARE PLACED ON THE SAME SIDE AS THE MANHOLE.



3/4" MANUAL  
AIR VENT

9'-3 11/16"  
[2837]

FILTER DATA	
TOTAL SURFACE AREA:	48 SQ. FT.
MAX WORKING PRESSURE:	50 PSI.
MAX FLOW RATE:	20 GPM / SQ. FT.
MEDIA REQUIREMENTS	
SAND:	2,200 LBS EA.
GRAVEL:	1,300 LBS EA.
WEIGHTS	
<b>FILTER SHIPPING WEIGHT</b>	<b>595 LBS EA.</b>
<b>FILTER OPERATING WEIGHT:</b>	<b>15,200 LBS</b>

ASTRAL POOL

USA

---

HORIZONTAL SAND FILTER (20896)  
48"X75" W/ 6" AUTO 4 VALVE MANIF STACKED

DRAWN BY:	MM	DWG. NO.:	20896-4 AUTO	REV:
SCALE: 3/8" = 1"	DATE: 10/3/02	CHECKED:		