

12" SQUARE RETROFIT MOFLOW® SUCTION OUTLET COVER



**VGB CERTIFIED
SPECIFICATIONS**

Floor Flow Rating
274 GPM at 1.3 fps

Wall Flow Rating
278 GPM at 1.3 fps

Sump Depth
3" minimum

Open Area
69.1 in²

FEATURES

For retrofit only, does not include mud frame

Easily and safely retrofits to most brands' 1" deep 12" square existing frames, does not include mud frame

All components meet or exceed ANSI/APSP 16-2011 and NSF/ANSI 50-2009a national standards and ASTM G154 UV testing exposure

#316 stainless steel screws

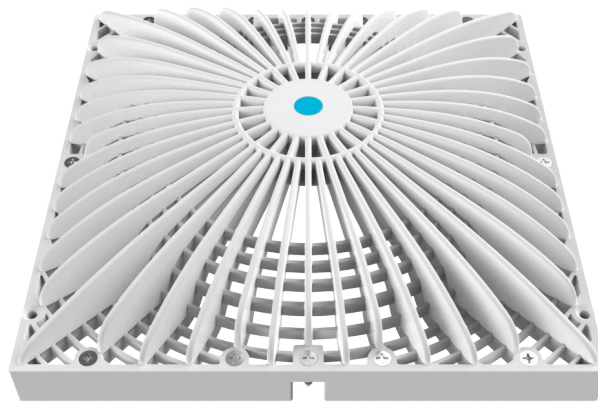
Manufactured from superior UV-resistant engineered polymers

Trademarked VGB compliance button easily identifies VGB 2008 compliant cover from on deck and underwater

Online product support including downloadable General Certificate of Conformity, third-party certificate, installation instructions and more

Replace drain cover every five years from the date of installation

10 per case



Part # R12MFxxx

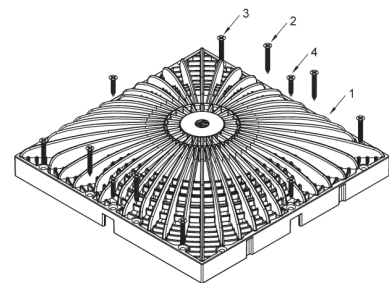
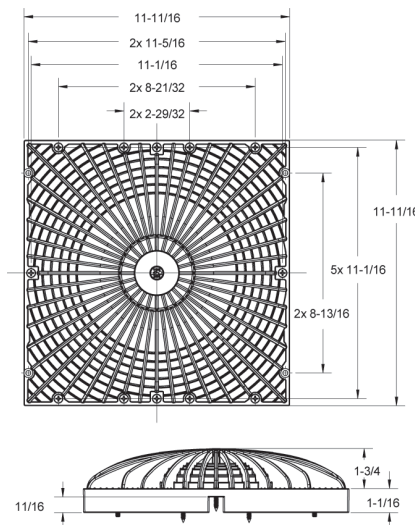
Fits: AquaStar retrofit 12" models, Hayward, Waterway, and Custom Molded Products (CMP) with 1" deep existing frames.

STANDARD COLORS

- R12MF101 – White
- R12MF102 – Black
- R12MF103 – Light Gray
- R12MF104 – Blue
- R12MF105 – Dark Gray
- R12MF108 – Tan

Replaces p/n RFS12xxx,
RWAV12xxx, RSUN12xxx

VGB 2008 Compliant



1. 12" Square Retrofit MoFlow Suction Outlet Cover
2. 10 x 1-1/2" Flat Head Phillips, 316 SS, Qty 4
3. 10-24 x 1-1/4" Flat Head Phillips, 316 SS, Qty 4
4. 10 x 1" Flat Head Phillips, 316 SS, Qty 4

P 877-768-2717 F 877-276-POOL Outside the US: P +1-949-336-1940 F +1-949-336-1940
info@aquastarpoolproducts.com www.aquastarpoolproducts.com