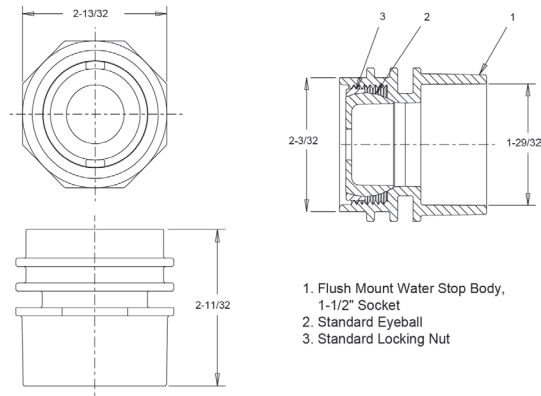


Product Image and Dimensions



Part # JE31xx



1. Flush Mount Water Stop Body,
1-1/2" Socket
2. Standard Eyeball
3. Standard Locking Nut

FEATURES

- Fits outside 1½" pipe
- 1½" FPT in the front face
- Finishes flush, no protrusion past the surface
- Integrated water stop helps prevent leaks
- Manufactured from engineered polymer UV-resistant ABS material

250 per case

STANDARD COLORS

- JE3101
 - JE3102
 - JE3103
 - JE3104
 - JE3105
 - JE3108
- Additional orifice size suffix:
 JE31xxB - ¾"
 JE31xxC - ½"
 JE31xxD - Slotted Down-Jet
 (i.e. JE3101B = white ¾" orifice)
 Also available in Clear
 (p/n JE3100)

AquaStar Specific Eyeball GPM, Velocity and Head Loss Ratings

GPM	JE31xx (1")		JE31xxB (3/4")		JE31xxC (1/2")		JE31xxD (Down-Jet)	
	Velocity (fps)	Head Loss (ft)	Velocity (fps)	Head Loss (ft)	Velocity (fps)	Head Loss (ft)	Velocity (fps)	Head Loss (ft)
5	2.2	0.1	3.6	0.5	8.2	2.4	10.1	2.1
10	4.4	0.5	7.3	1.8	16.3	8.7	20.2	8.1
15	6.6	1.1	10.9	3.7	24.5	18.6	30.3	20.7
20	8.8	1.9	14.5	6.2	32.4	32.0		
25	11.0	3.0	18.2	9.4				
30	13.2	4.4	21.8	13.1				
35	15.4	6.1	25.4	17.3				
40	17.6	8.0						
45	19.7	10.2						
50	21.9	12.7						