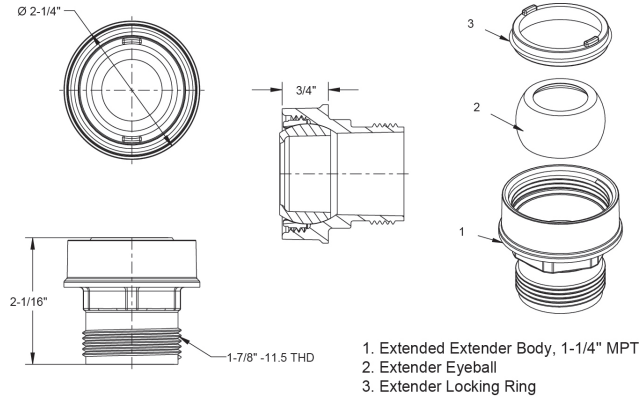


Product Image and Dimensions



Part # BSASDxxx



FEATURES

- Threads into 1 1/4" FPT
 - Fits into Swimquip/Sta-Rite #8428 and 8429 (the part with four threaded brass inserts)
 - Great for remodels, adds 1/2" for a new finish.
 - Finishes flush, no protrusion past the surface.
 - Eliminates the need for costly removal of old fittings (just screw in).
 - Can be extended by stacking with p/n ASDxxx
 - Engineered polymer UV-resistant ABS material
- 250 per case

STANDARD COLORS

- BSASD101 Additional orifice size suffix:
- BSASD102 BSASDxxxB - 3/4"
- BSASD103 BSASDxxxC - 1/2"
- BSASD104 BSASDxxxD - Slotted Down-Jet
(i.e. BSASD101B = white 3/4" orifice)
- BSASD105 Also available in Clear
- BSASD108 (p/n BSASD100)

AquaStar Specific Eyeball GPM, Velocity and Head Loss Ratings

GPM	BSASDxxx (1")		BSASDxxxB (3/4")		BSASDxxxC (1/2")		BSASDxxxD (Down-Jet)	
	Velocity (fps)	Head Loss (ft)	Velocity (fps)	Head Loss (ft)	Velocity (fps)	Head Loss (ft)	Velocity (fps)	Head Loss (ft)
5	2.2	0.1	3.6	0.5	8.2	2.4	10.1	2.1
10	4.4	0.5	7.3	1.8	16.3	8.7	20.2	8.1
15	6.6	1.1	10.9	3.7	24.5	18.6	30.3	20.7
20	8.8	1.9	14.5	6.2	32.4	32.0		
25	11.0	3.0	18.2	9.4				
30	13.2	4.4	21.8	13.1				
35	15.4	6.1	25.4	17.3				
40	17.6	8.0						
45	19.7	10.2						
50	21.9	12.7						