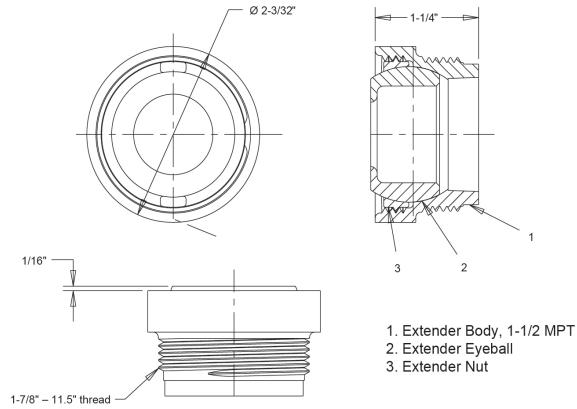


Product Image and Dimensions



Part # ASDxxx



FEATURES

- Screws into 1 1/2" FPT
- Great for remodels, adds 1/2" for a new finish. Finishes flush, no protrusion past the surface
- Eliminates the need for costly removal of old fittings (just screw in). Stack more than one for longer extension
- Manufactured from engineered polymer UV-resistant ABS material

250 per case

STANDARD COLORS

- ASD101 Additional orifice size suffix:
 - ASD102 ASDxxxB - 3/4"
 - ASD103 ASDxxxC - 1/2"
 - ASD104 ASDxxxD - Slotted Down-Jet
 - ASD105 (i.e. ASD101B = white 3/4" orifice)
 - ASD108 Also available in Clear
- (p/n ASD100)

AquaStar Specific Eyeball GPM, Velocity and Head Loss Ratings

GPM	ASDxxx (1")		ASDxxxB (3/4")		ASDxxxC (1/2")		ASDxxxD (Down-Jet)	
	Velocity (fps)	Head Loss (ft)	Velocity (fps)	Head Loss (ft)	Velocity (fps)	Head Loss (ft)	Velocity (fps)	Head Loss (ft)
5	2.2	0.1	3.6	0.5	8.2	2.4	10.1	2.1
10	4.4	0.5	7.3	1.8	16.3	8.7	20.2	8.1
15	6.6	1.1	10.9	3.7	24.5	18.6	30.3	20.7
20	8.8	1.9	14.5	6.2	32.4	32.0		
25	11.0	3.0	18.2	9.4				
30	13.2	4.4	21.8	13.1				
35	15.4	6.1	25.4	17.3				
40	17.6	8.0						
45	19.7	10.2						
50	21.9	12.7						