

9" SQUARE MOFLOW® SUCTION OUTLET COVER AND MUD FRAME



Certified to
NSF/ANSI/CAN 50
ANSI/APSP/ICC-16 2017

Open Area
36.8 in²

For SOFA Specific Flow Ratings and
specifications please scan QR code or visit
www.aquastarpoolproducts.com/flowcode



FEATURES

Certified, Listed, and Labeled in conformance with APSP/ANSI/ICC-16 2017 and NSF/ANSI/CAN 50 standards

Easily and safely retrofits to 9" square 3/4" deep frames

Manufactured from superior UV-resistant engineered polymers

#316 stainless steel screws

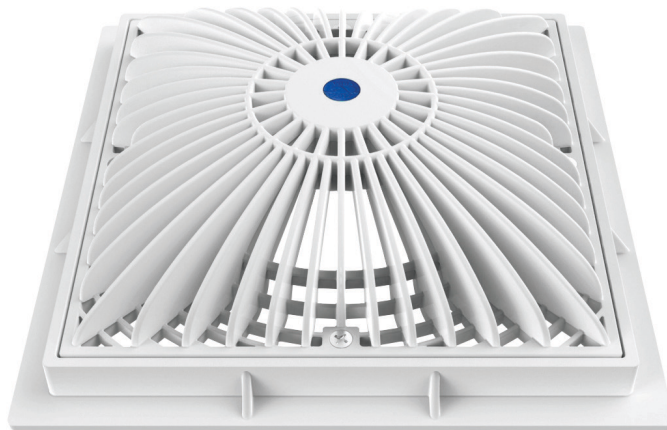
Trademarked VGBA compliance button easily identifies VGBA 2017 compliant cover from on deck and underwater

Online product support including downloadable CAD files, General Certificate of Conformity, third-party certificate, installation instructions and more

Replace drain cover every five years from the date of installation

See next page for additional product configurations

8 per case

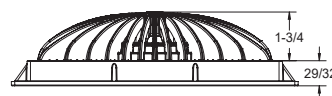
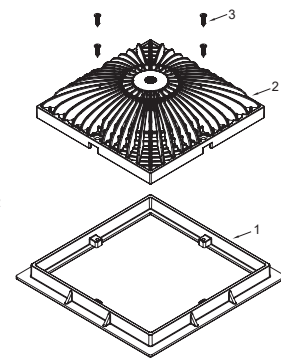
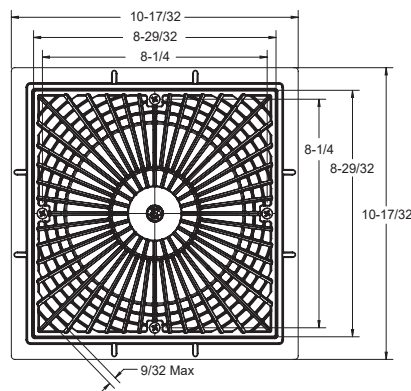


Part # 9MFxxx

Designed to replace standard 9" square covers that have a 8 1/4" center-to-center screw hole measurement with 3/4" deep existing frames

STANDARD COLORS

- 9MF101 – White
- 9MF102 – Black
- 9MF103 – Light Gray
- 9MF105 – Dark Gray
- 9MF108 – Tan



1. 9" Square Mud Frame
2. 9" Square MoFlow Suction Outlet Cover
3. 10 x 3/4" Flat Head Phillips, 316 SS, Qty 4

P 877-768-2717 F 877-276-POOL Outside the US: P +1-949-336-1940 F +1-949-336-1940
info@aquastarpoolproducts.com www.aquastarpoolproducts.com

6" Socket Deep PVC Sump

NSF

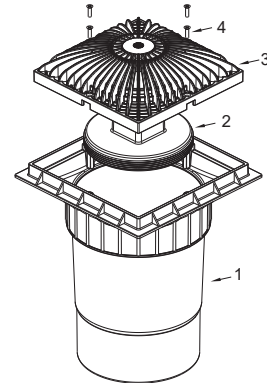
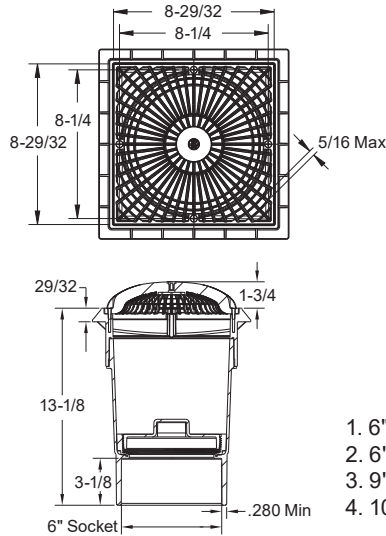
Certified to
NSF/ANSI/CAN 50
ANSI/APSP/ICC-16 2017

Open Area
36.8 in²

For SOFA Specific Flow Ratings and
specifications please scan QR code or visit
www.aquastarpoolproducts.com/flowcode



Part #
9MFxxxF
2 per case



1. 6" Socket Sweep PVC sump
2. 6" Tapered Threaded Pipe Plug
3. 9" Square MoFlow Suction Outlet Cover
4. 10 x 3/4" Flat Head Phillips, 316 SS, Qty 4

3" Socket x 4" Spigot Side Port PVC Sump

NSF

Certified to
NSF/ANSI/CAN 50
ANSI/APSP/ICC-16 2017

Open Area
36.8 in²

For SOFA Specific Flow Ratings and
specifications please scan QR code or visit
www.aquastarpoolproducts.com/flowcode



NEW Hassle-free pressure testing
and winterizing

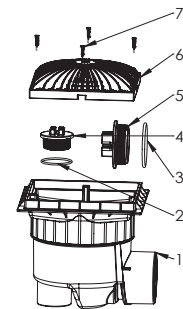
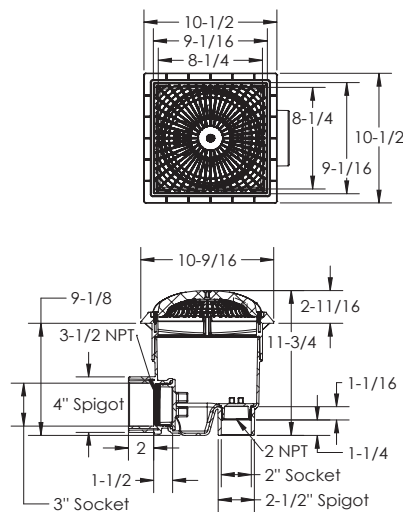


Hassle-free pressure testing and winterizing
Comes with a 3" and 2" NPT cap with O-ring.
No knock-outs required.

Part #
9MFxxxSSB
1 per case

2" Plug and O-Ring, p/n 2SBP101
3" Plug and O-Ring, p/n 3SBP101

Optional 2" hydrostatic relief valve available p/n HV101



1. Side Port Sump Bucket, 9" Square Frame
2. 2" NPT Plug O-Ring
3. 3" NPT Plug O-Ring
4. 3" NPT Plug
5. 2" NPT Plug
6. 9" Square MoFlow Suction Outlet Cover
7. 10 x 3/4" Flat Head Phillips, 316 SS, Qty 4