

6" ROUND HOCKEY PUCK SUMPLESS SUCTION OUTLET COVER, HYDROAIR/ITT REPLACEMENT



**VGBA CERTIFIED
SPECIFICATIONS**

**Open Area
10.4 in²**

For SOFA Specific Flow Ratings and specifications please scan QR code or visit www.aquastarpoolproducts.com/flowcode



FEATURES

All components meet or exceed APSP/ANSI/ICC-16 2017 and NSF/ANSI 50-2009a national standards and ASTM G154 UV testing exposure

See next page for eight adapter plates sold separately, available for sumpless connections to 1022s, 1½" female adapters, 1½" and 2" inside and outside slip and threads

Easily and safely retrofits many HydroAir/ITT parts

Manufactured from superior UV-resistant engineered polymers

#316 stainless steel screws

Trademarked VGBA compliance button easily identifies VGBA 2017 compliant cover from on deck and underwater

Online product support including downloadable CAD files, General Certificate of Conformity, third-party certificate, installation instructions and more

Replace drain cover every five years from the date of installation

25 per case

No sump required!



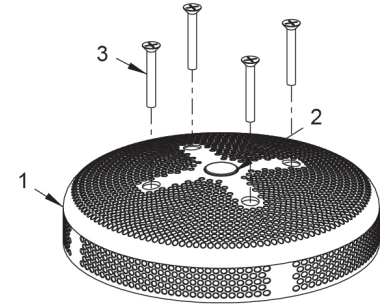
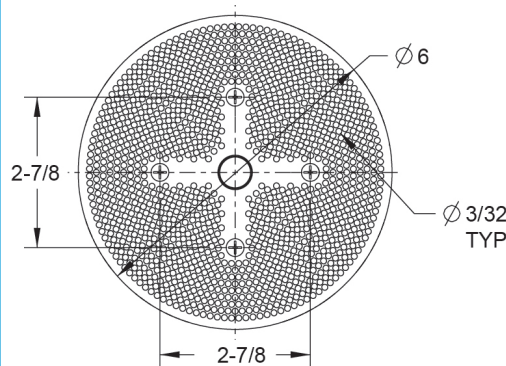
Part # 6HPHAxxx

STANDARD COLORS

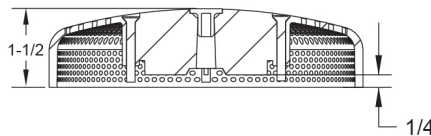
- 6HPHA101 – White
- 6HPHA102 – Black
- 6HPHA103 – Light Gray
- 6HPHA105 – Dark Gray
- 6HPHA108 – Tan

Replaces p/n 6HPxxx

VGBA 2017 Compliant



1. 6" Round Suction Outlet Cover
2. VGB Compliance Button
3. 8-32 x 1-1/4" Flat Head Phillips, 316 SS, Qty 4



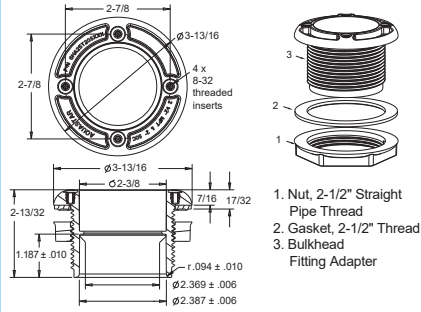
P 877-768-2717 F 877-276-POOL Outside the US: P +1-949-336-1940 F +1-949-336-1940
info@aquastarpoolproducts.com www.aquastarpoolproducts.com

ADDITIONAL PRODUCT CONFIGURATIONS FOR 6HPHxxx (sold separately) 25/case

STANDARD COLORS 101 102 103 104 105

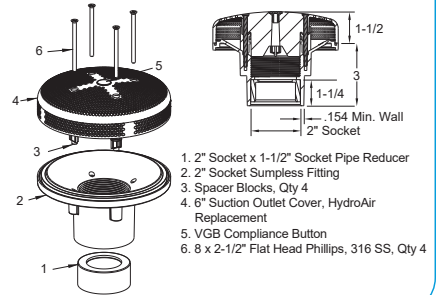
Code Key: xxx = Color 15 = 1½", 20 = 2"
 (i.e. 101 = White) 25 = 2½"
 SI = Slip Insider T = Thread

6" Bulkhead Adapter with 2½" Thread and 2" Socket for Fiberglass/Steel, with Gasket and 2½" Locking Nut



Part #
6HA25T20Sxxx

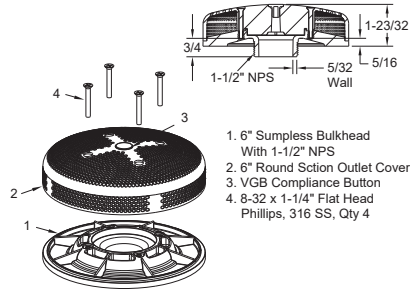
6" Bulkhead Adapter with 2" Socket Sumpless Fitting



Part #
RNDxxx

6" Bulkhead Adapter with 1½" Threaded Sumpless Fitting

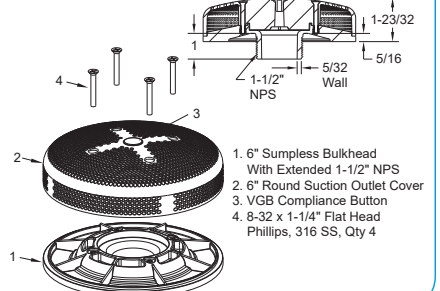
Fits 1022 female adapters



Part #
615Txxx

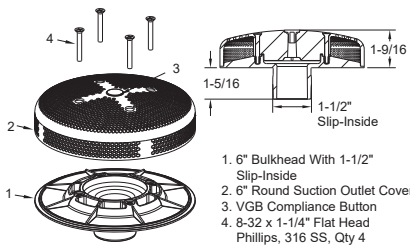
6" Bulkhead Adapter with Extended 1½" Threaded Sumpless Fitting

Use with flush mount 1½" FPT, does not fit 1022 female adapters



Part #
6E15Txxx

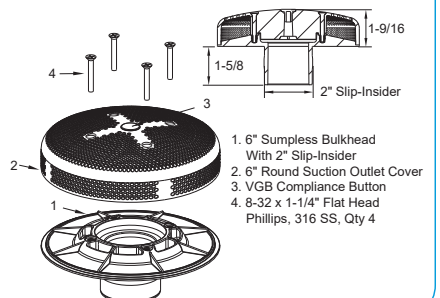
6" Bulkhead Adapter with 1½" Slip-Insider Sumpless Fitting



Part #
615S1xxx

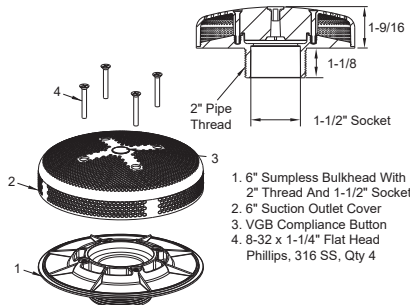
6" Bulkhead Adapter with 2" Slip-Insider Sumpless Fitting

Also available as 1½" slip insider p/n 615S1xxx



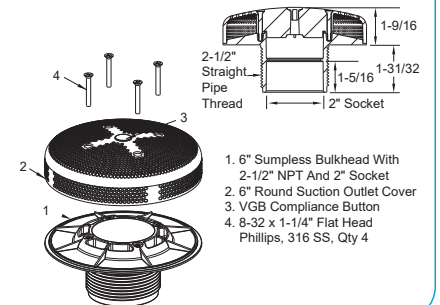
Part #
620S1xxx

6" Bulkhead Adapter with 2" Threaded x 1½" Socket Sumpless Fitting



Part #
620T15Sxxx

6" Bulkhead Adapter with 2½" Threaded x 2" Socket Sumpless Fitting



Part #
625T20Sxxx