

18" SQUARE MUD FRAME WITH FOUR 9" SQUARE MOFLOW® SUCTION OUTLET COVERS



VGB CERTIFIED SPECIFICATIONS

Floor Flow Rating
293 GPM at .6 fps

Wall Flow Rating
Floor only

Sump Depth
6" Minimum

Open Area
147.1 in²

FEATURES

All components meet or exceed ANSI/APSP 16-2011 and NSF/ANSI 50-2009a national standards and ASTM G154 UV testing exposure

Manufactured from superior UV-resistant engineered polymers

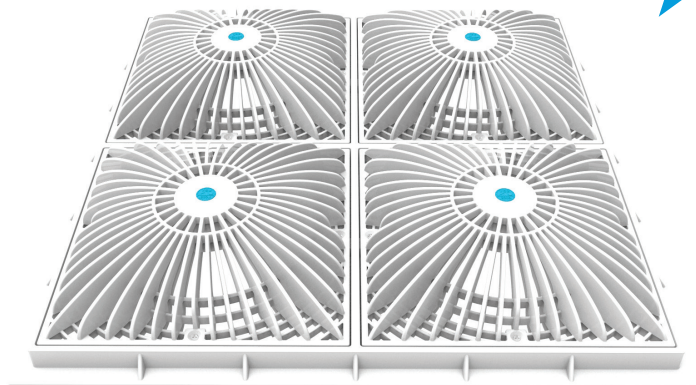
#316 stainless steel screws

Online product support including downloadable CAD files, General Certificate of Conformity, third-party certificate, installation instructions and more

Trademarked VGB compliance button easily identifies VGB 2008 compliant cover from on deck and underwater

Replace drain cover every five years from the date of installation

4 per case



Part # 18MFxxx

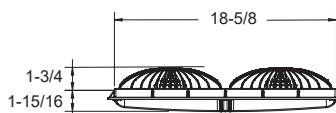
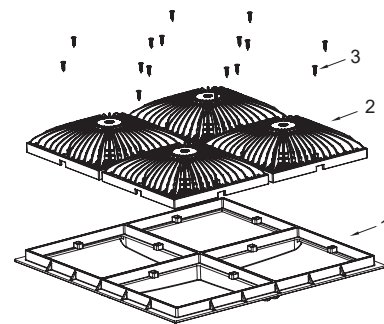
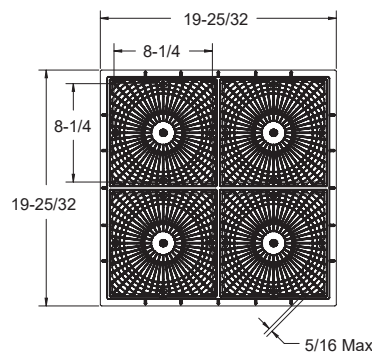
Fits: AquaStar standard 18" models and American (Pentair) with 3/4" deep existing window grid frame and 4x4 screw hole pattern.

STANDARD COLORS

- 18MF101 – White
- 18MF102 – Black
- 18MF103 – Light Gray
- 18MF104 – Blue
- 18MF105 – Dark Gray
- 18MF108 – Tan

Also available with four grates only for 3/4" deep retrofits p/n 18MFNFxxx

VGB 2008 Compliant



1. 18" Square Mud Frame
2. 9" Square MoFlow Suction Outlet Cover, Qty 4
3. 10 x 3/4" Flat Head Phillips, 316 SS, Qty 16

P 877-768-2717 F 877-276-POOL Outside the US: P +1-949-336-1940 F +1-949-336-1940
info@aquastarpoolproducts.com www.aquastarpoolproducts.com